

D4C-L

4 Channel Constant Current DMX512 & RDM Decoder

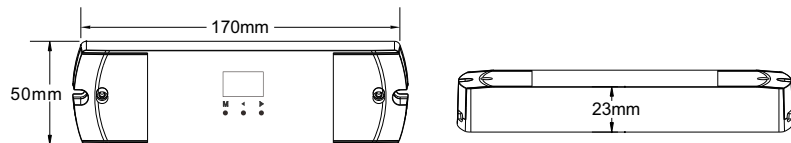
Feature

- Comply with the DMX512 standard protocols.
- Digital numeric display, set DMX address by buttons.
- RDM function can realize intercommunication between DMX master and decoder. For example, DMX decoder address can be set by DMX master console.
- 1/2/4 DMX channel output selectable.
- PWM frequency 2000/500Hz selectable.
- Logarithmic or linear dimming curve selectable.
- Stand-alone RGB/RGBW mode and 4 channel dimmer mode selectable.

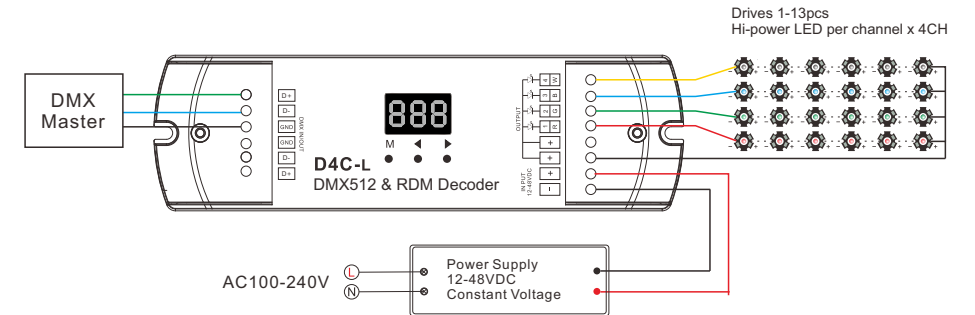
Technical parameter

Model	Input voltage	Output current	Output power	Output type
D4C-L	12-48VDC	4CH,350mA/CH	4 x (1.6-16.1)W	Constant current

Dimension



Wiring diagram



Operation

System parameter setting

- Long press M and ◀ key in the same time for 2s, prepare for setup system parameter: decode mode, output PWM frequency, output brightness curve, automatic blank screen. short press M key to switch four item.
- Decode mode: short press ◀ or ▶ key to switch 1/2/4 channel decode mode("d-1", "d-2" or "d-4").
- Output PWM frequency: short press ◀ or ▶ key to switch 500Hz("F-L") or 2KHz("F-H").
- Output brightness curve: short press ◀ or ▶ key to switch linear curve("C-L") or logarithmic curve("C-E").
- Automatic blank screen: short press ◀ or ▶ key to switch enable ("bon") or disable("boF") automatic blank screen.
- Long press M key for 2s or timeout 10s, quit system parameter setting.

DMX512**DMX mode**

- Short press M key, when display 001~999, enter DMX mode.
- Press ◀ or ▶ key to change DMX decode address(001~999), long press for fast adjustment.

DMX mode
(001~999)**Stand-alone RGB/RGBW mode**

- If there is a DMX signal input, will enter DMX mode automatically.
- Enter stand-alone RGB/RGBW mode only when DMX signal is disconnected or lost.
- Short press M key, when display P01~P30, enter stand-alone RGB/RGBW mode.
- Press ◀ or ▶ key to change dynamic mode number(P01~P30).

Stand-alone RGB/RGBW mode
(P01~P30)

- Each mode can adjust speed and brightness.

Long press M key for 2s, prepare for setup mode speed, brightness, W channel brightness.

Short press M key to switch three item.

Press ◀ or ▶ key to setup value of each item.

Mode speed: 1-10 level speed(S-1, S-9, S-F).

Mode brightness: 1-10 level brightness(b-1, b-9, b-F).

W channel brightness: 0-255 level brightness(400-4FF).

Long press M key for 2s, or timeout 10s, quit setting.

Speed
(8 level)Brightness
(10 level, 100%)**RGB change mode list**

No.	Name	No.	Name	No.	Name
P01	Static red	P11	Green strobe	P21	Red yellow smooth
P02	Static green	P12	Blue strobe	P22	Green cyan smooth
P03	Static blue	P13	White strobe	P23	Blue purple smooth
P04	Static yellow	P14	RGB strobe	P24	Blue white smooth
P05	Static cyan	P15	7 color strobe	P25	RGB+W smooth
P06	Static purple	P16	Red fade in and out	P26	RGBW smooth
P07	Static white	P17	Green fade in and out	P27	RGBY smooth
P08	RGB jump	P18	Blue fade in and out	P28	Yellow cyan purple smooth
P09	7 color jump	P19	White fade in and out	P29	RGB smooth
P10	Red strobe	P20	RGBW fade in and out	P30	6 color smooth

Stand-alone dimmer mode

- Enter stand-alone dimmer mode only when DMX signal is disconnected or lost.
- Short press M key, when display L-1~L-8, enter stand-alone dimmer mode.
- Press ◀ or ▶ key to change dimmer mode number(L-1~L-8).
- Each dimmer mode can adjust each channel brightness independently.

Long press M key for 2s, prepare for setup four channel brightness.

Short press M key to switch four channel(100~1FF, 200~2FF, 300~3FF, 400~4FF).

Press ◀ or ▶ key to setup brightness value of each channel.

Long press M key for 2s, or timeout 10s, quit setting.

Stand-alone dimmer mode
(L-1~L-8)**Restore factory default parameter**

- Long press ◀ and ▶ key for 2s, restore factory default parameter, display"RES".
- Factory default parameter: DMX decode mode, DMX first address is 1, four channel decode, high PWM frequency output, logarithmic brightness curve, RGB mode number is 1, dimmer mode number is 1, disable automatic blank screen.

Malfunctions analysis & troubleshooting

Malfunctions	Causes	Troubleshooting
No light	1. No power. 2. Wrong connection or insecure.	1. Check the power. 2. Check the connection.
Wrong color	1. Wrong connection of R/G/B/W wires. 2. DMX decode address error.	1. Reconnect R/G/B/W wires. 2. Set correct decode address.

Safety information

1. The product shall be installed and serviced by a qualified person.
2. The product is non-waterproof. Please avoid the sun and rain.
3. Good heat dissipation will prolong the working life of the controller.
Please ensure good ventilation.
4. Please check if the output voltage of any power supplies used comply with the working voltage of the product.
5. Ensure all wire connections and polarities are correct and secure before applying power to avoid any damages to the LED lights.
6. If a fault occurs please return the product to your supplier.
Do not attempt to fix this product by yourself.