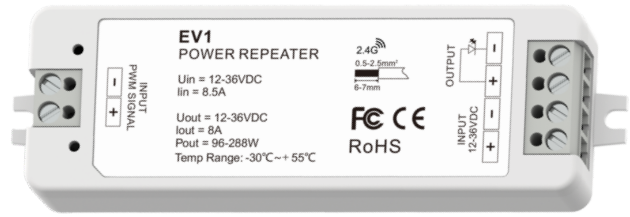


1 Channel Constant Voltage Power Repeater

- 12-36V constant voltage power repeater.
- one channel, 8A.
- To receive PWM signal control.
- Power repeater in series or in parallel to expand output unlimitedly.
- Apply to single color constant voltage LED strip or module.

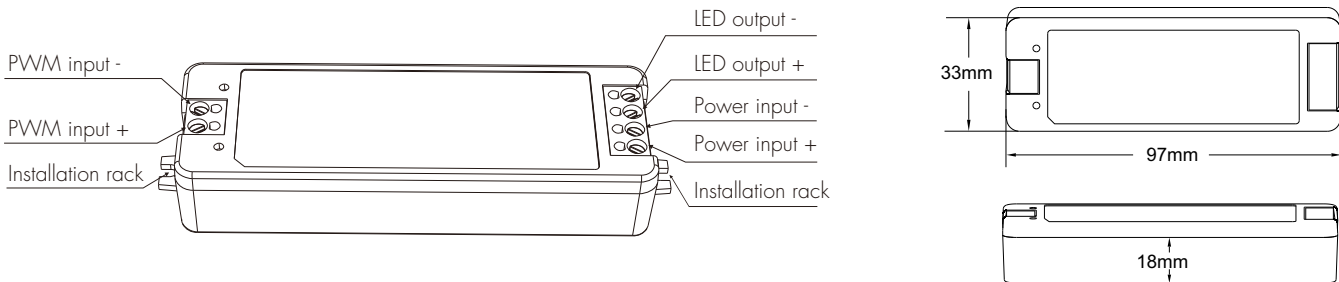


FCC CE RoHS

Technical Parameters

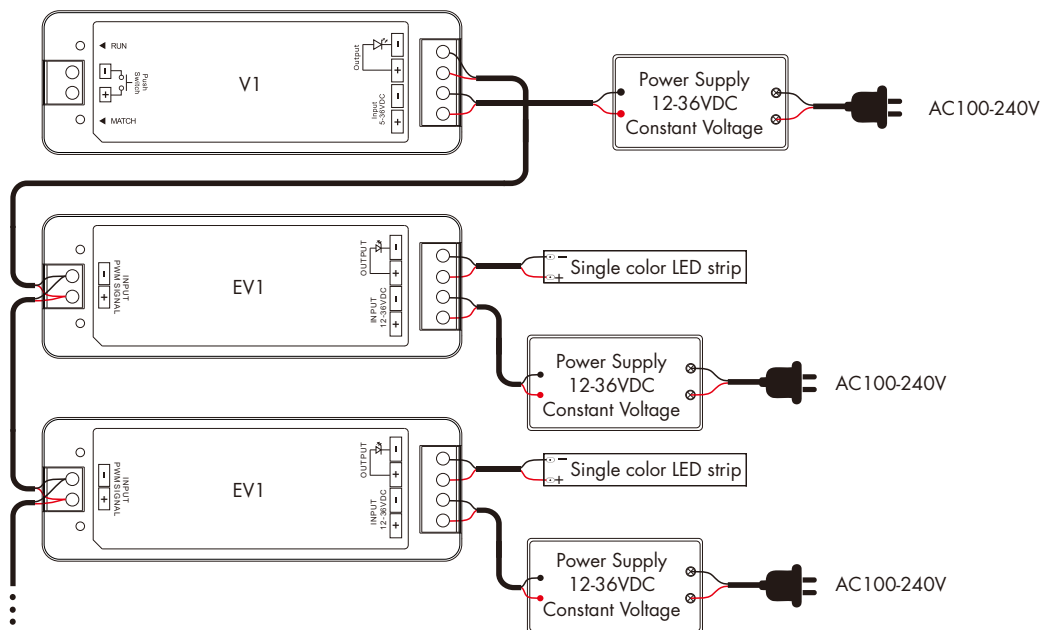
Input and Output		Environment		Safety and EMC	
Input voltage	12-36VDC	Operation temperature	Ta: -30°C ~ +55°C	EMC standard	EN IEC 55015/EN IEC 61547
Input current	8.5A	Case temperature(Max.)	Tc: +85°C	Safety standard	EN 61347-1/-2 EN 62493
Input signal	PWM	IP rating	IP20	Certification	CE RoHS FCC
Output voltage	12-36VDC			Warranty and Protection	
Output current	8A	Package		Warranty	5 years
Output power	96-288W	Size	L114 x W38 x H26mm	Protection	Reverse polarity, Short circuit
Output type	Constant voltage	Gross weight	0.053kg		

Mechanical Structures and Installations

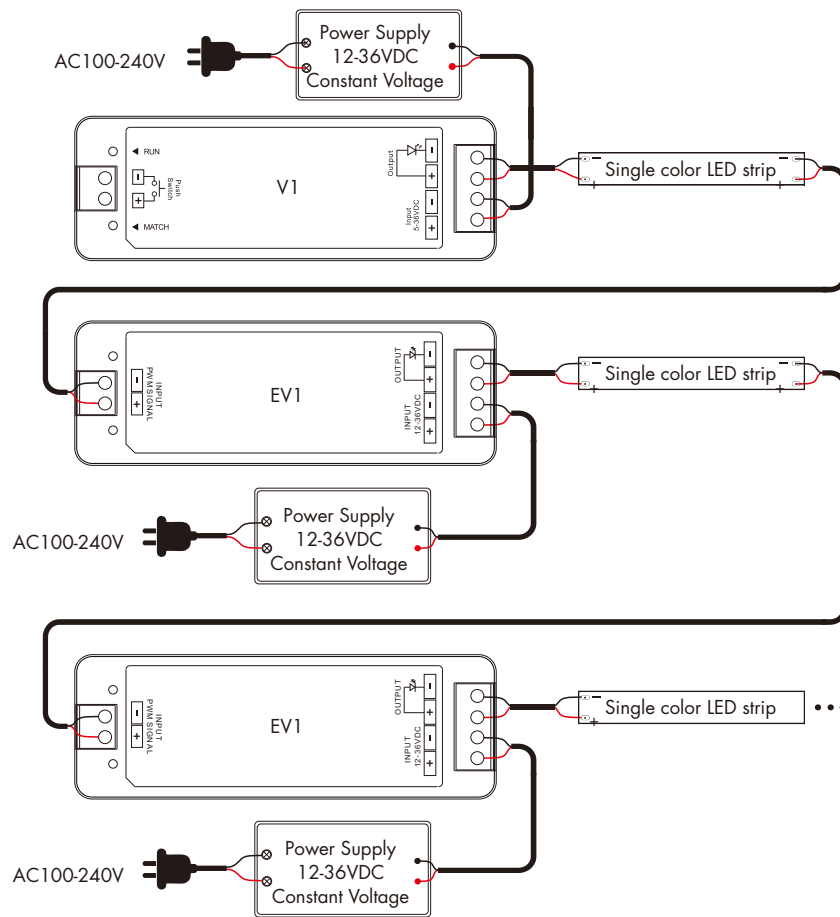


Wiring Diagram

- Parallel connection



- Series connection



Note:

If the input PWM frequency is $\geq 8000\text{Hz}$, it is recommended to reduce the output current to below 70% to avoid overheating and affecting the service life of the product.

Malfunctions Analysis & Troubleshooting

Malfunctions	Causes	Troubleshooting
No light	<ol style="list-style-type: none"> 1. No power. 2. Wrong connection or insecure. 	<ol style="list-style-type: none"> 1. Check the power. 2. Check the connection.
Uneven intensity between front and rear, with voltage drop	<ol style="list-style-type: none"> 1. Output cable is too long. 2. Wire diameter is too small. 3. Overload beyond power supply capability. 4. Overload beyond controller capability. 	<ol style="list-style-type: none"> 1. Reduce cable or loop supply. 2. Change wider wire. 3. Replace higher power supply. 4. Add power repeater.

Safety & Warnings

1. The product shall be installed and serviced by a qualified person.
2. This product is non-waterproof. Please avoid the sun and rain.
3. Good heat dissipation will prolong the working life of the controller, please ensure good ventilation.
4. Please check if the output voltage of any power supplies used comply with the working voltage of the product.
5. Ensure all wire connections and polarities are correct and secure before applying power to avoid any damages to the LED lights.
6. If a fault occurs please return the product to your supplier. Do not attempt to fix this product by yourself.

FCC Statement:

This device complies with Part 15 of the FCC Rules. operation is subject to the following two conditions:

- (1) this device may not cause harmful interference, and
- (2) this device must accept any interference received, including interference that may cause undesired operation.

IC Statement: This Class B digital apparatus complies with Canadian ICES-003.

(Cet appareil numérique de la Classe B conforme à la norme NMB-003 du Canada).