

AC Triac RF Dimmer Kit

Model No.: S1-B+R1

RF dimming/Leading edge or trailing edge/Min brightness settable/Push Dim/Wall box inserted



CE RoHS LVD

Features

- RF + Push AC phase-cut dimmer, 1 channel output.
- To dim and switch single color dimmable LED lamps, traditional incandescent and halogen lights.
- Leading edge dimming or trailing edge dimming set by dip switch.
- Min brightness can be set by key.
- Compatibility with RF 2.4G dimming remote control.
- Light on/off fade time 3s selectable.
- Connect with external push switch to achieve on/off and dimming function.
- Easy to be inserted into standard 86* 86mm wall box.

Technical Parameters

Triac Dimmer's Input and Output	
Input voltage	AC100-240V
Output voltage	AC100-240V
Output current	Max 1.5A
Output power	150-360W

Dimming data	
Input signal	RF 2.4GHz + Push Dim
RF Control distance	30m
Dimming level	256 levels
Dimming range	0-100%

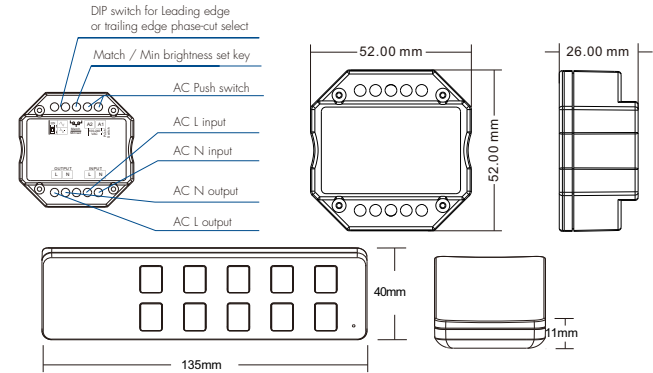
Environment	
Operation temperature	Ta: -30°C ~ +55°C
Case temperature (Max.)	Tc: +85°C
IP rating	IP20

LED Remote's Input and Output	
Output signal	RF(2.4GHz)
Working voltage	3VDC(CR2032)
Working current	< 5mA
Standby current	< 2μA
Standby time	2 years
Remote distance	30m

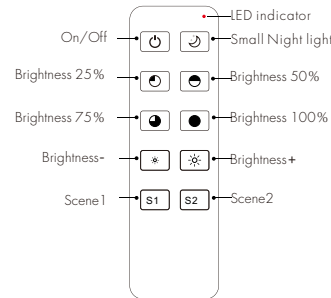
Safety and EMC	
EMC standard (EMC)	ETSI EN 301 489-1 V2.2.3 ETSI EN 301 489-17 V3.2.4
Safety standard(LVD)	EN 62368-1:2020+A1 1:2020
Radio Equipment(REDE)	ETSI EN 300 328 V2.2.2
Certification	CE,EMC,LVD,RED

Warranty and Protection	
Warranty	5 years

Mechanical Structures and Installations



Remote function



Brightness+/-:
Short press 10 levels,
long press 1-6s for continuous 256 levels adjustment.

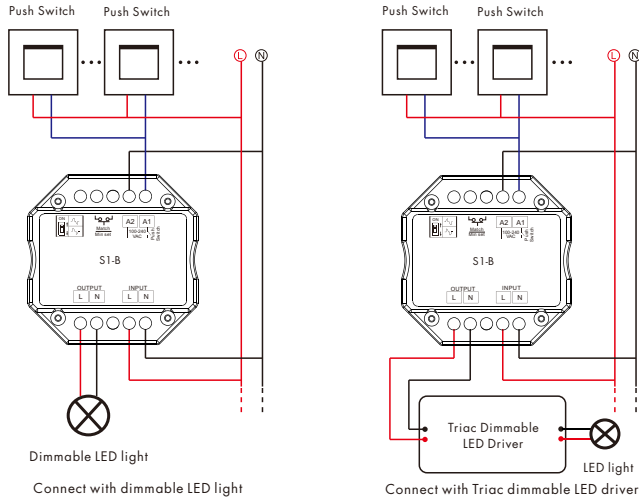
Scene 1/2:
Brightness memory.
Short press recall the scene,
long press 2s save the current brightness into the scene.

Compatible Load Types

Load Type	Maximum Load	Remarks
Dimmable LED lamps	200W @ 220V 100W @ 110V	Due to variety of LED lamp designs, maximum number of LED lamps is further dependent on power factor result when connected to dimmer.
Triac Dimmable LED drivers	200W @ 220V 100W @ 110V	Maximum permitted number of drivers is 200W divided by driver nameplate power rating, and make sure the surge current is no more than 2 times 65A.
Incandescent lighting, HV Halogen lamps	400W @ 220V 200W @ 110V	

Wiring diagram

⚠ Caution: Please carefully ensure all wire connections and polarities are correct and secure before applying power, otherwise this controller will be damaged.



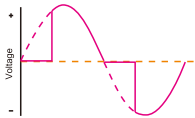
Note: When calculating the maximum number of load lamps or drivers, the input power or input current parameters of a single lamp or driver must be used, the output power parameters can not be used. In addition, the maximum surge current of the dimmer is 65A, the sum of surge current of multiple dimmable LED drivers should not exceed 2 times. otherwise, the product will be overloaded and damaged.

Leading edge or trailing edge dimming setting

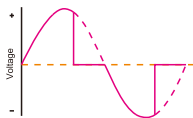
Select leading edge(forward-phase) dimmer or trailing edge(reverse-phase) dimmer according to dimmable LED light or driver.



Forward-phase control dimmer(TRIAC)



Reverse-phase control dimmer



Caution: before power on, you must confirm the selection of dip switch.

Min brightness setting

Long press Min set key for 2s, the light blink 2 times, ready for min brightness set, then short press Min set key 1-6 times, to get 6 min brightness: 5%, 10%, 15%, 20%, 25% or 30%, the light will output the current min brightness immediately, Long press Min set key for 2s or wait 8s, quit min brightness set, the light will output 100% brightness automatically.

Light on/off fade time

Long press Match key 5s, then short press Match key 3 times, the light on/off time will be set to 3s, the indicator light blink 3 times. Long press Match key 10s, restore factory default parameter, the light on/off time also restore to 0.5s.

Match Remote Control (two match ways)

End user can choose the suitable match/delete ways. Two options are offered for selection:

Use the controller's Match key

Match:
Short press match key, immediately press on/off key of the remote.

Delete:
Press and hold match key for 5s to delete all match, The light blinks 5 times means all matched remotes were deleted.

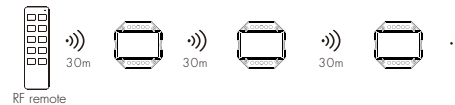
Use Power Restart

Match:
Switch off the power, then switch on power, repeat again. Immediately short press on/off key 3 times on the remote. The light blinks 3 times means match is successful.

Delete:
Switch off the power, then switch on power, repeat again. Immediately short press on/off key 5 times on the remote. The light blinks 5 times means all matched remotes were deleted.

Application notes

All the receivers are matched with one RF remote.



Auto-transmitting: One receiver can transmit the signals from the remote to another receiver within 30m, as long as there is a receiver within 30m, the remote control distance can be extended.

Auto-synchronization: Multiple receivers within 30m distance can work synchronously when they are controlled by the same remote. Receiver placement may offer up to 30m communication distance. However, we recommend for indoor applications that receiver placements should be no further apart than 1.5m.