

## User Guide

# RF Smart AC Switch & Push Switch

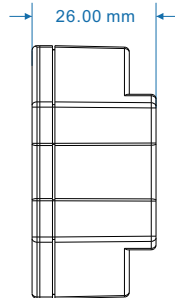
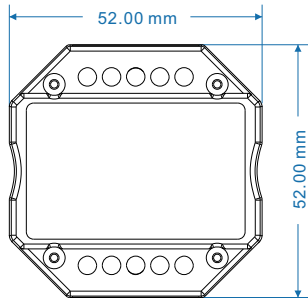
### Summary

- RF smart switch with relay output, without dimming function.
- Suitable to insert standard panel bottom box.
- Adopt 2.4GHz wireless technology, remote distance up to 30m.
- One RF switch can accept up to 10 remote control.
- Great compatibility with a variety of dimming remote.
- To switch single color LED lamps, traditional incandescent and halogen lights.
- Connect with external push switch optional.

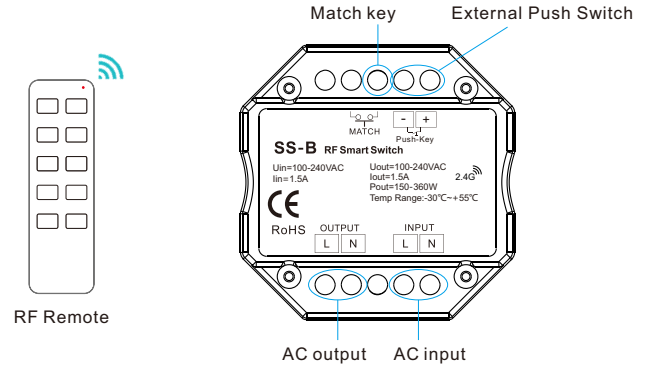
### Technical parameter

Model	Input voltage	Output voltage	Output current	Output power
SS-B	100-240VAC	100-240VAC	1.5A	150-360W

### Dimension



### Interface specification



### Match guide

#### Use Match key

1. Match: Short press match key of the RF switch, within 5s, press any zone on/off key of the remote.
2. Delete: Long press match key of the RF switch for 5s, delete all matched remote.

#### Use Power-up

1. Match: Switch off the power, then switch on power again, short press on/off key 3 times on the remote quickly within 5s after power on, the link is done.
2. Delete: Switch off the power, then switch on power again, short press on/off key 5 times on the remote quickly within 5s after power on, the unlink is done.

### Available RF remote



RU4  
4 zone remote

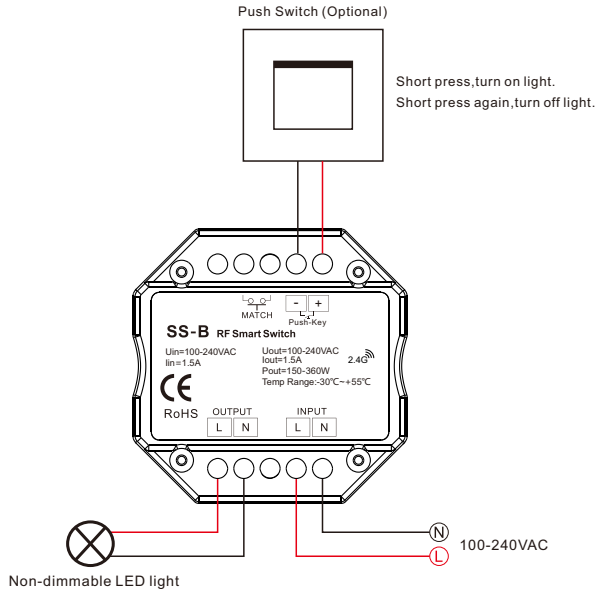


RU8  
8 zone remote



PF1-2  
2 zone remote

## Wiring diagram



## Safety information

1. The product shall be installed and serviced by a qualified person.
2. This product is non-waterproof. Please avoid the sun and rain.
3. Good heat dissipation will prolong the working life of the controller, please ensure good ventilation.
4. Please check if the output voltage of any power supplies used comply with the working voltage of the product.
5. Ensure all wire connections and polarities are correct and secure before applying power to avoid any damages to the LED lights.
6. If a fault occurs please return the product to your supplier. Do not attempt to fix this product by yourself.

## Malfunctions analysis & troubleshooting

Malfunctions	Causes	Troubleshooting
No light	<ol style="list-style-type: none"> <li>1. No power.</li> <li>2. Wrong connection or insecure.</li> </ol>	<ol style="list-style-type: none"> <li>1. Check the power.</li> <li>2. Check the connection.</li> </ol>
No response from the remote	<ol style="list-style-type: none"> <li>1. The battery has no power.</li> <li>2. Beyond controllable distance.</li> <li>3. The controller did not match the remote.</li> </ol>	<ol style="list-style-type: none"> <li>1. Replace battery.</li> <li>2. Reduce remote distance.</li> <li>3. Re-match the remote.</li> </ol>