

0-10V Touch Glass Panel Dimmer

Model No.: T18

1 zone/Touch glass panel/Brightness slide/Wireless remote control

Features

- Touch panel 0-10V dimmer, output 1 channel 0-10V signal.
- Output connect with 0/1-10V dimmable driver.
- Ultra sensitive high strength glass touch panel with touch slide in the middle.
- Compatibility with RF 2.4G dimming remote control.
- Touch keys with LED indicator.
- White & Black glass panel available.

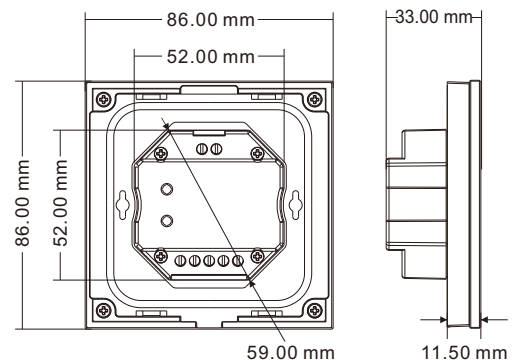
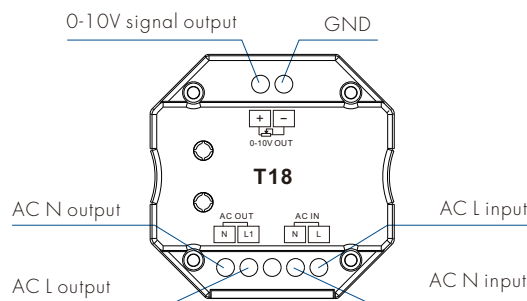


CE RoHS LVD

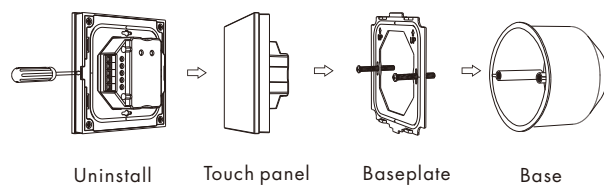
Technical Parameters

Input and Output		Safety and EMC		Environment	
Input voltage	AC100-240V	EMC standard (EMC)	ETSI EN 301 489-1 V2.2.3	Operation temperature	Ta: -30°C ~ +55°C
Output signal	0-10V (50mA)		ETSI EN 301 489-17 V3.2.4	Case temperature (Max.)	Ta: +65°C
Output current	20mA/CH	Safety standard(LVD)	EN 62368-1:2020+A11:2020	IP rating	IP20
Dimming data		Radio Equipment(REL)	ETSI EN 300 328 V2.2.2	Package	
Input signal	Touch key + RF 2.4GHz	Certification	CE,EMC,LVD,RED	Size	L112x W112 x H50mm
RF Control distance	10m(Barrier-free space)	Warranty		Gross weight	0.238kg
Dimming gray level	256 levels	Warranty	5 years		
Dimming range	0-100%				

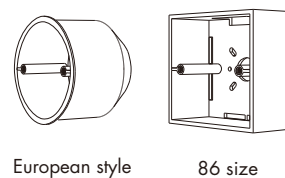
Mechanical Structures and Installations



Installation diagram:



Typical base as below:



Match Remote Control (two match ways)

The 0-10V touch panel dimmer can also match with the RF dimming remote (optional).

End user can choose the suitable match/delete ways. Two options are offered for selection:

Use On/Off key

Match:

Turn on light, turn off, immediately press the On/Off key of the panel for 5s, then press on/off key (single zone remote) or zone key (multiple zone remote) of the RF remote within 5s.

The LED indicator fast flash 3 times means match is successful.

Delete:

Turn on light, turn off, immediately press the On/Off key of the panel for 10s to delete all match,

The LED indicator fast flash 6 times means all matched remotes were deleted.

Use Power Restart

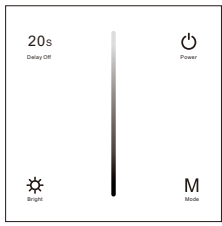
Match:



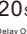

Switch off the power, then switch on power, repeat again, Immediately short press on/off key (single zone remote) or zone key (multiple zone remote) 3 times on the remote. The light blinks 3 times means match is successful.

Delete:

Switch off the power, then switch on power, repeat again, Immediately short press on/off key (single zone remote) or zone key (multiple zone remote) 5 times on the remote. The light blinks 5 times means all matched remotes were deleted.

Key function

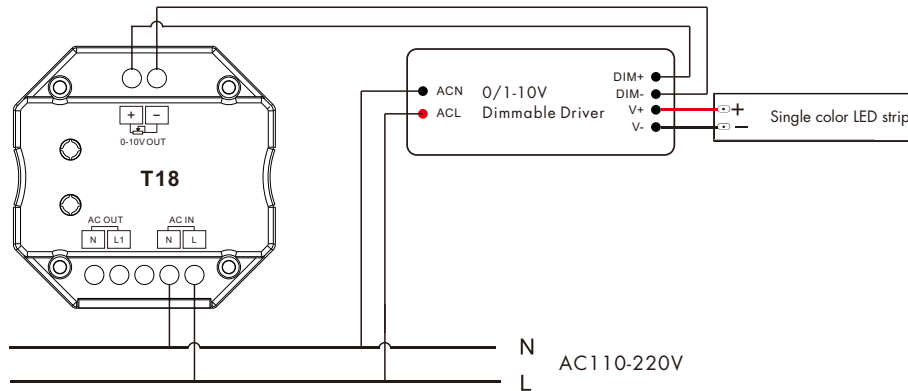


-  — Turn on/off light.
-  — Play dynamic mode, 6 level speed.
-  — Turn off light after 20s.
-  — Brightness, 10 levels.

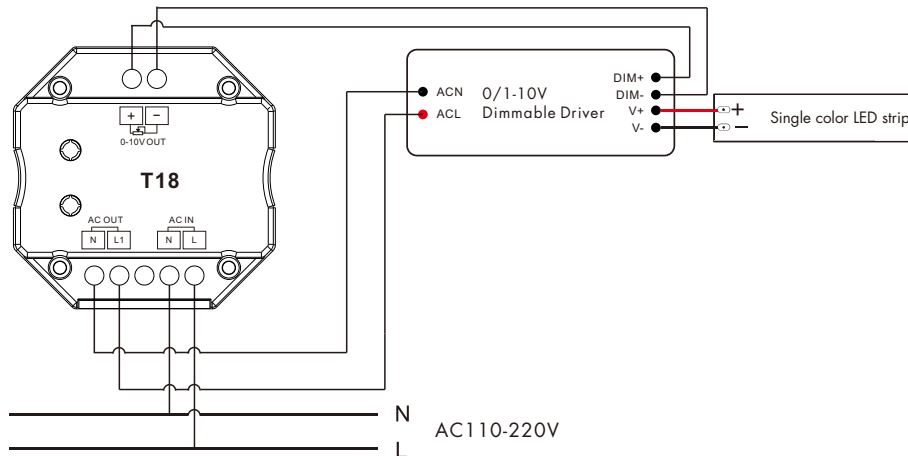
Note: The default output is 0-10V, if you want to 1-10V output, please touch power key to turn off light, then long press power key for 15s immediately, the output will become 1-10V. Touch power key to turn off light, then long press power key for 10s immediately, the output will return 0-10V.

Wiring diagram

- Connect with 0/1-10V dimming driver (no use AC OUT)

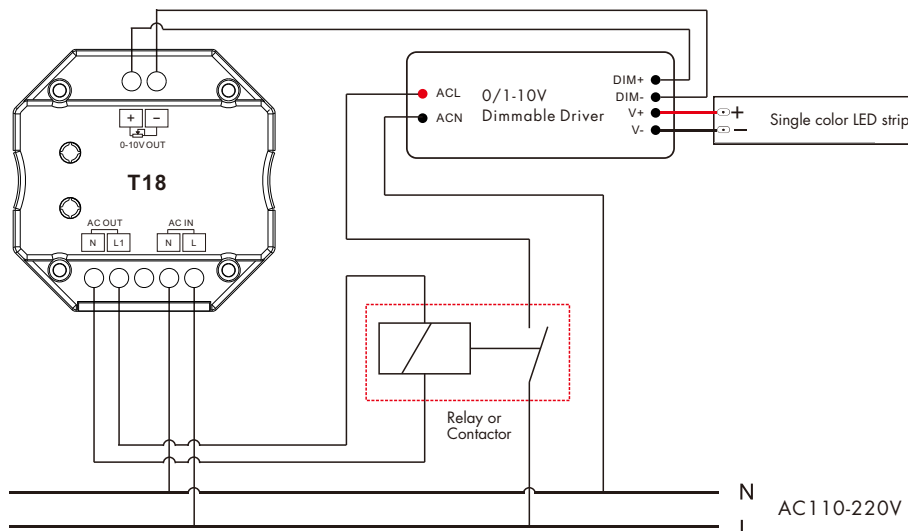


- Connect with 0/1-10V dimming driver (use AC OUT)



- Connect with 0/1-10V dimming driver (use AC OUT and relay or contactor)

An additional AC relay or contactor is needed when total input current of the load is higher than 1.5A or inrush current is greater than 15A.



Note: We recommend the number of LED drivers connected to 0/1-10V dimmer does not exceed 100 pieces, the maximum length of the wires from dimmer to LED driver should be no more than 50 meters.