

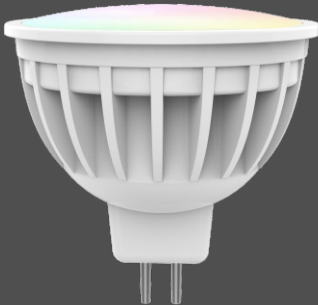
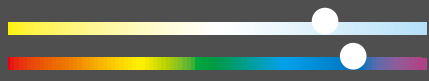
# RGB + Color Temperature

4W/Wireless remote control/AC12V or DC12V input/50000h lifespan/MR16

CE RoHS  LVD RED

<p>0-100% Dimming</p> 	<p>Color Temperature</p> 	<p>Millions of colors</p> 
---	--	---



<p><b>4<sub>w</sub></b></p> 	<p>Auto-transmitting Auto-synchronization</p> <p>50000h Lifespan</p> <p>2.4G RF</p>  <p>Group Control with many zones, and endless LED bulbs in each zone</p>
---	---

**200-250 LUMENS**

## Feature

- Match with Skydance's 2.4G RGB+CCT remote control, One spotlight accept up to 10 remote control.
- Match with WiFi-relay device for smart phone control.
- 16 million colors and 10 dynamic mode, adjustable color temperature and saturation.
- Auto-transmitting function: spotlight automatically transmit signal to another spotlight with 30m control distance.
- Synchronize on multiple number of spotlights.
- Use SAMSUNG LED.
- 50,000 hours lifespan.

## Technical parameter

Model	TK05	LED QTY	SAMSUNG 3pcs WW 2835 1W
Power	4W		SAMSUNG 3pcs CW 2835 1W
Voltage	AC/DC 12V		SANAN 2pcs RGB 5050 1.5W
Color Temperature	2700-6500K	Lifespan(h)	50000h
Ra/CRI	>80	Beam Angle	60°
PF(cos)	>0.5	Material	Aluminum + PC cover
Luminous Efficiency	60LM/W	Base	MR16
Luminous Flux(lm)	200-250LM	Dimensions	Ø50*H50mm

### Dimming data

Input signal	RF 2.4GHz
Control distance	30m
Dimming level	4096 levels
Dimming range	0-100%

### Safety and EMC

EMC standard (EMC)	EN301 489,EN 62479
Safety standard(LVD)	EN60950
Radio Equipment(RED)	EN300 328
Certification	CE,EMC,LVD,RED

### Environment

Operation temperature	Ta: -30°C ~ +55°C
Case temperature (Max.)	Tc: +85°C
IP rating	IP44

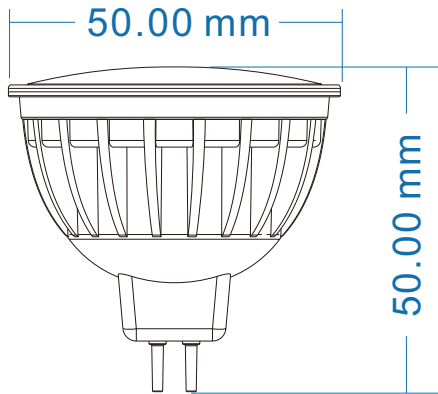
### Warranty

Warranty	3 years
----------	---------

## Safety guide

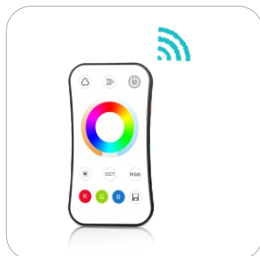
1. Make sure the voltage is between AC12V or DC12V.
2. Avoid using under high temperature or moisture.

## Dimension



## Controlled by wireless 2.4GHz remote control

Handhold remote



Wall mounted remote



### Match method :

Switch off the power of the bulb, then switch on power again, immediately short press on/off key(single zone remote) or zone key(multiple zone remote) 3 times on the remote. The light blinks 3 times means match is successful.

### Delete match :

Switch off the power of the bulb, then switch on power again, immediately short press on/off key(single zone remote) or zone key(multiple zone remote) 5 times on the remote. The light blinks 5 times means delete all matched remote.

## Controlled by smart phone APP



Enter android market / App Store, Search SkySmart application software, download and install.

## Dynamic mode list

No.	Name	No.	Name
1	RGB jump	6	RGB fade in and out
2	RGB smooth	7	Red fade in and out
3	6 color jump	8	Green fade in and out
4	6 color smooth	9	Blue fade in and out
5	Color temperature smooth	10	White fade in and out

## Troubleshooting

### 1. The spotlight does not respond to the RF remote.

- Check if the power is switched on at the wall.
- Check if the battery levels of the RF remote are normal, or replace battery.

### 2. The spotlight changes unexpectedly by itself.

Possible reason: The spotlight may be controlled by another RF remote.

Solution: You can delete match firstly, then match again.