

DALI 0/1-10V Dimmer

- 1 DALI address, 1 channel 0/1-10V output.
- Powered by DALI bus.
- 10A dry contact mains rated relay output.
- 0-10V or 1-10V output selectable.
- In accordance with DALI standard protocol IEC 62386-101, IEC 62386-102, IEC 62386-206 and in compliance with DALI products from other international incorporation.
- Compliant DALI device type 5.

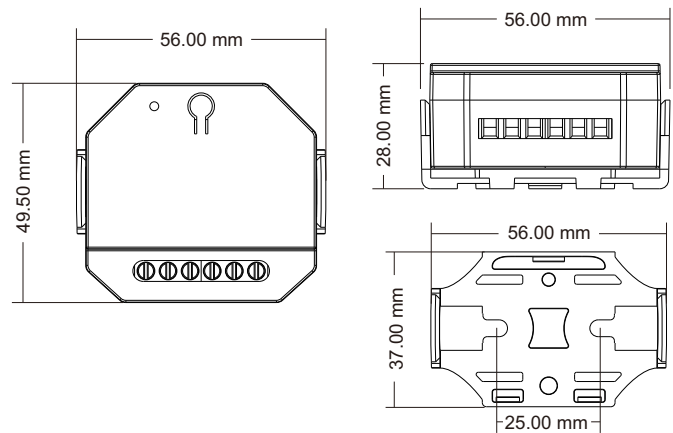
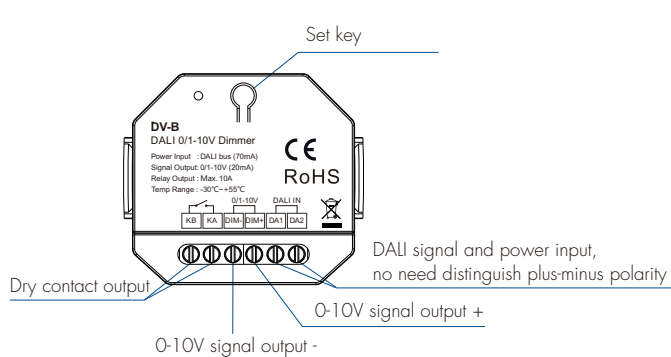


CE RoHS emc LVD

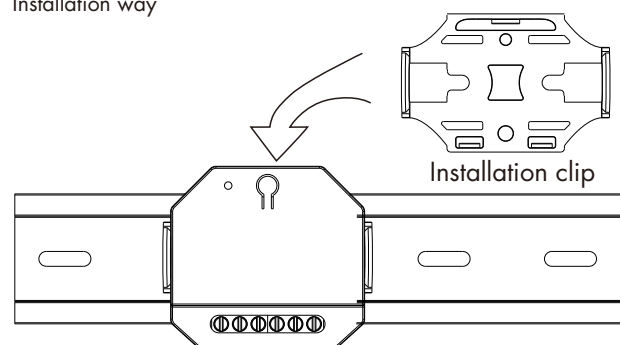
Technical Parameters

Input and Output		Dimming data		Safety and EMC	
Power input	DALI bus	Dimming range	0 -100%	EMC standard (EMC)	EN IEC 55015:2019+A11:2020 EN 61547:2009 EN IEC 61000-3-2:2019+A11:2021 EN 61000-3-3:2013+A11:2019
Output signal	0/1-10V, 20mA	Dimming curve	Linear(default)	Safety standard (LVD)	EN 61347-1:2015+A1:2021 EN 61347-2-13:2014+A1:2017
Max relay load current	10A resistive load 8A incandescent 5A inductive load	Environment		Certification	CE,EMC,LVD
Working current	Max. 70mA@16V	Operation temperature	Ta: -30°C ~ +55°C	Package	
Static current	10mA@16V	Case temperature (Max.)	Tc: +60°C	Size	W60 x L 60 x H40mm
Warranty		IP rating	IP20	Gross weight	0.061kg
Warranty	5 years				

Mechanical Structures and Installations



Installation way

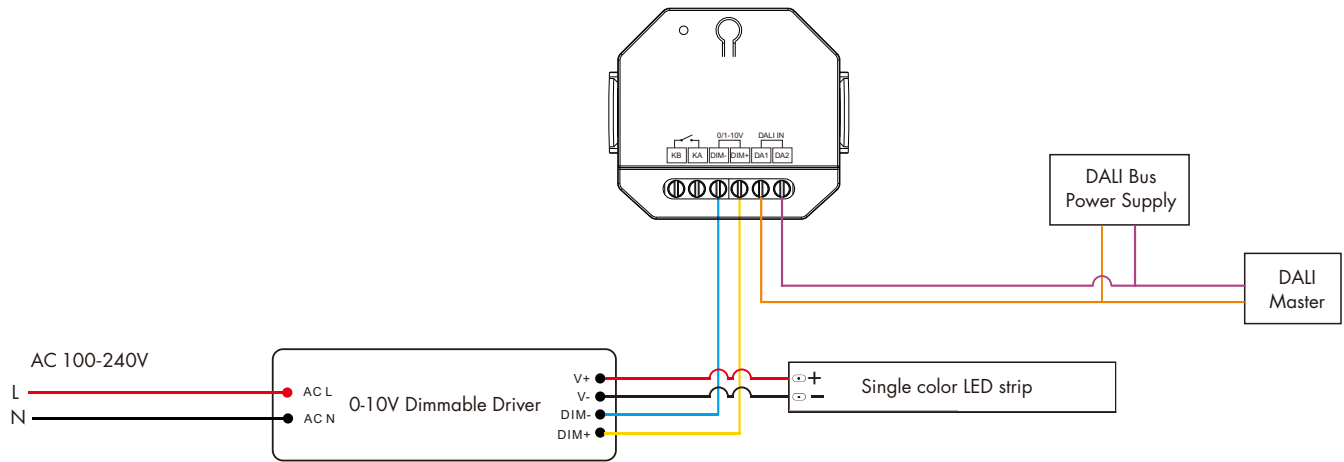


Note:

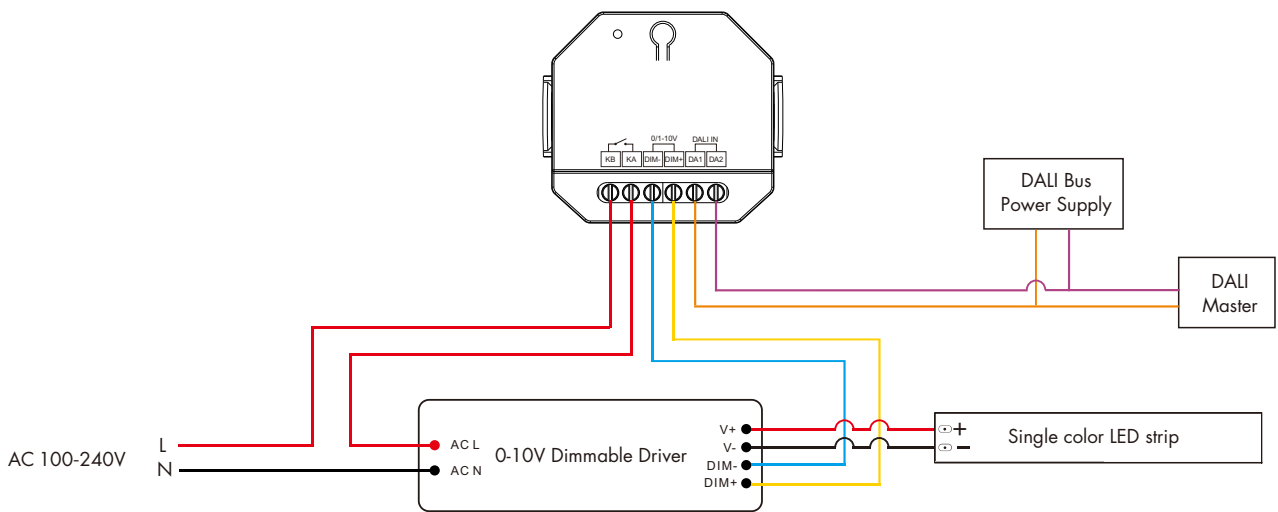
1. DO NOT install with power applied to device.
2. The installation must be installed or removed by a professional electrician.
3. Please keep the device out of the reach of children.
4. Please keep away from water, humid or hot environment.

Wiring Diagram

- Connect with 0/1-10V dimming driver (no use dry contact output)



- Connect with 0/1-10V dimming driver (use dry contact output)



Note:

We recommend the number of LED drivers connected to 0/1-10V dimmer does not exceed 20 pieces, The maximum length of the wires from dimmer to LED driver should be no more than 50 meters.

Operation

Set 0/1-10V output mode

Within 3s of power-up, press and hold the set button for 5s to switch between 0/1-10V output types:

When LED flashes once, output 0-10V signal.

When LED flashes twice, output 1-10V signal.

ON/OFF and dimming by set button

After 3s of power-up, short press the set button to turn on/off the relay and 0/1-10V signal.

Press and hold the set button 1-6s to adjust 0/1-10V signal level, namely adjust the light brightness.

DALI address assigned by DALI masters

DALI address can also be assigned by DALI Master controller automatically.

Please refer to user manuals of compatible DALI Masters for specific operations.