



Hand Sweep / Door Control Sensing Head

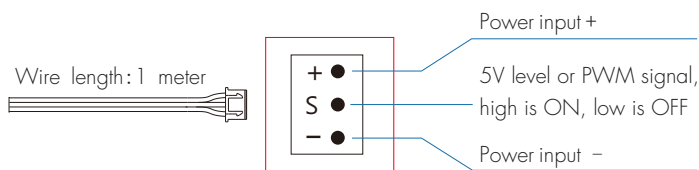
CE RoHS 

Model	Product name	Product picture	Sensor data
EB-C	Hand sweep sensing head		Sensitive field: 1-6cm Sensitive angle: 15-25
ED-C	Door sensing head		Sensitive field: 1-6cm Sensitive angle: 15-25

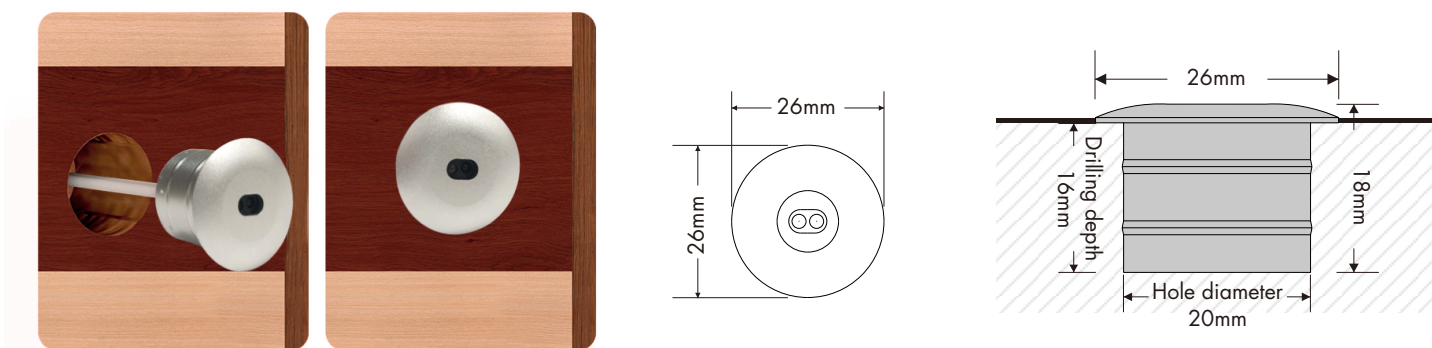
Features

- Concealed aluminum housing hand sweep /door control sensing head.
- Powered by low voltage 5VCD, output 5V level or PWM signal.
- Output PWM frequency: 2000Hz.
- 1 second on/off light fade.
- Apply to cabinet, closet, wine cabinet and other lighting.

Sensor wire define



Sensing head installation



Sensing head application

EB-C: Hand sweep sensing head

Make pendulum action at the front end of the sensing head:
when hand sweep, the light turn on gradually;
when hand sweep again, the light turn off gradually.

Hold your hand in front of the sensing head for more than 2 seconds:
The brightness increases or decreases continuously,
the each time the hand is removed and then held again,
the brightness changes in the opposite direction.

ED-C: Door sensing head

When the door open, or no obstacle in front of the sensing head,
the light turn on gradually;
When the door close, or obstacle in front of the sensing head,
the light turn off gradually.