
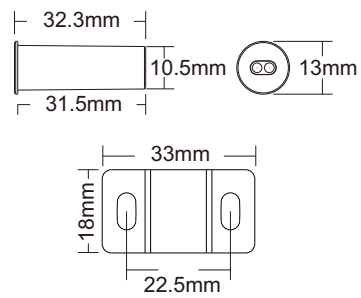


Hand Sweep / Door Control Sensing Switch

CE RoHS 

Model	Product name	Product picture	Size	Sensor data
EB-V(C)	Hand sweep sensing switch			Sensitive field: ≤8cm Dimming range: 5 - 100% Dimming curve: Logarithmic
ED-V(C)	Door sensing switch			Sensitive field: ≤6cm

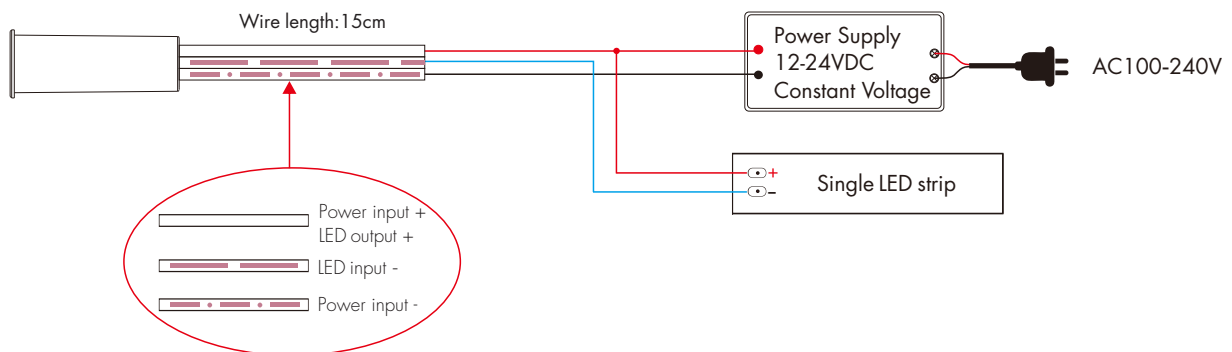
Features

- Constant voltage output hand sweep/door sensing switch, output connected to low voltage LED strip.
- 1second light on/off fade.
- Maximum output current 1A, maximum power 24W@24V.
- Output PWM frequency: 2000Hz.
- Apply to cabinet, closet, wine cabinet and other lighting.

Technical Parameters

Output and Input		Environment and Protection		Safety and EMC	
Input voltage	12-24VDC	Operation temperature	Ta: -30°C ~ +50°C	EMC standard (EMC)	ETSI EN 301 489-1 V2.2.3 ETSI EN 301 489-17 V3.2.4
Output voltage	12-24VDC	Protection	Reverse polarity	Safety standard	EN 62368-1:2020+A11:2020
Output current	1A	Package		Certification	CE, EMC, IVD
Output power	12-24W	Size	L80xW45xH30mm		
PWM frequency	2000Hz	Gross weight	0.032kg		

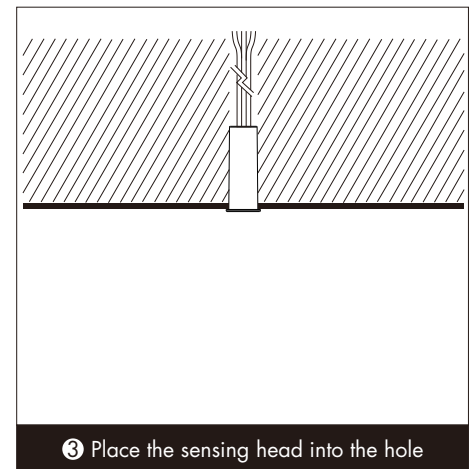
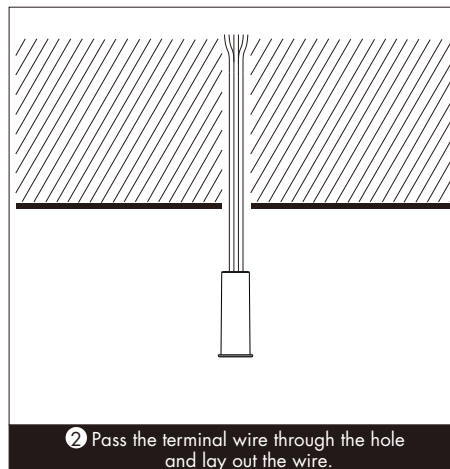
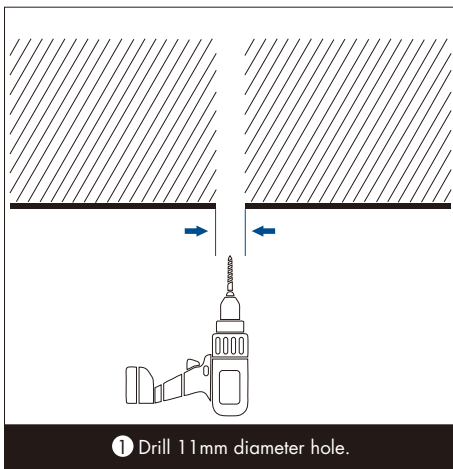
Sensor wire define



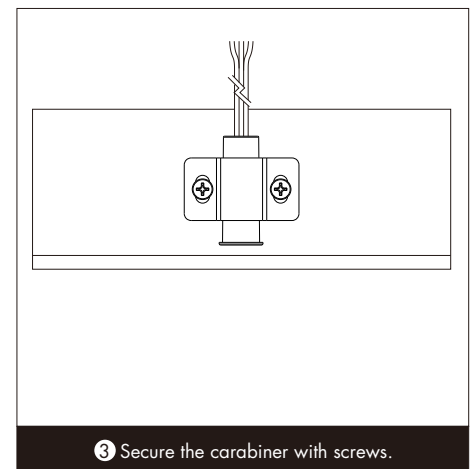
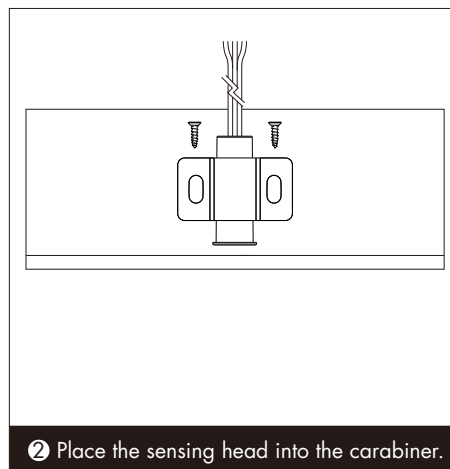
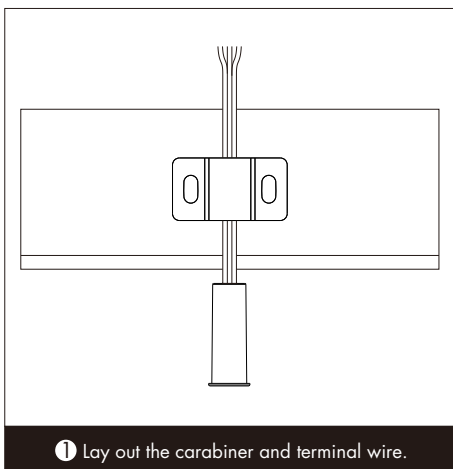
Note: When multiple LED strips are connected to the sensing probe output, the total current of the strips should not exceed 1A.

Sensing head installation

• Concealed installation:



• Surface mounting method:



Sensing head application

EB-V(C): Hand sweep sensing head

Make pendulum action at the front end of the sensing head:
when hand sweep, the light turn on gradually;
when hand sweep again, the light turn off gradually.

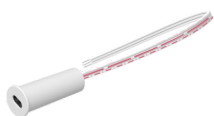
Hold your hand in front of the sensing head for more than 2 seconds:
The brightness increases or decreases continuously,
the each time the hand is removed and then held again,
the brightness changes in the opposite direction.

ED-V(C): Door sensing head

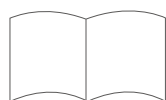
Use the door as a reflection object.
It is installed at the outer edge of the cabinet door, about 1 cm away from
the outer edge.

When the door open, or no obstacle in front of the sensing head,
the light turn on gradually;
When the door close, or obstacle in front of the sensing head,
the light turn off gradually.

Packing List



Induction sensor head
1 pcs



User manual
1 pcs



Carabiner
1 pcs



Screw
2 pcs