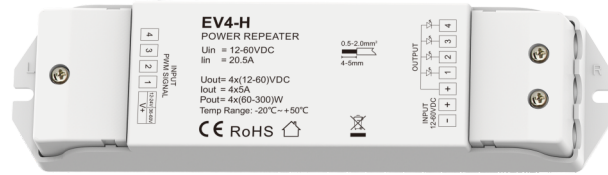


4 Channel 12-60V Constant Voltage Power Repeater

- 12-60V constant voltage power repeater.
- 4 channel, Max. 5A output current per channel.
- To receive PWM signal control.
- Power repeater in series or in parallel to expand output unlimitedly.
- Apply to single color, dual color, RGB or RGBW constant voltage LED strip or module.

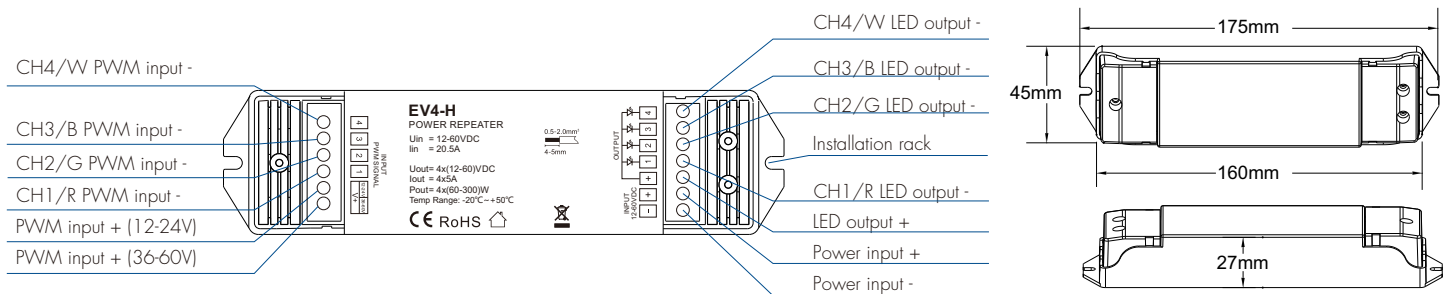


CE RoHS

Technical Parameters

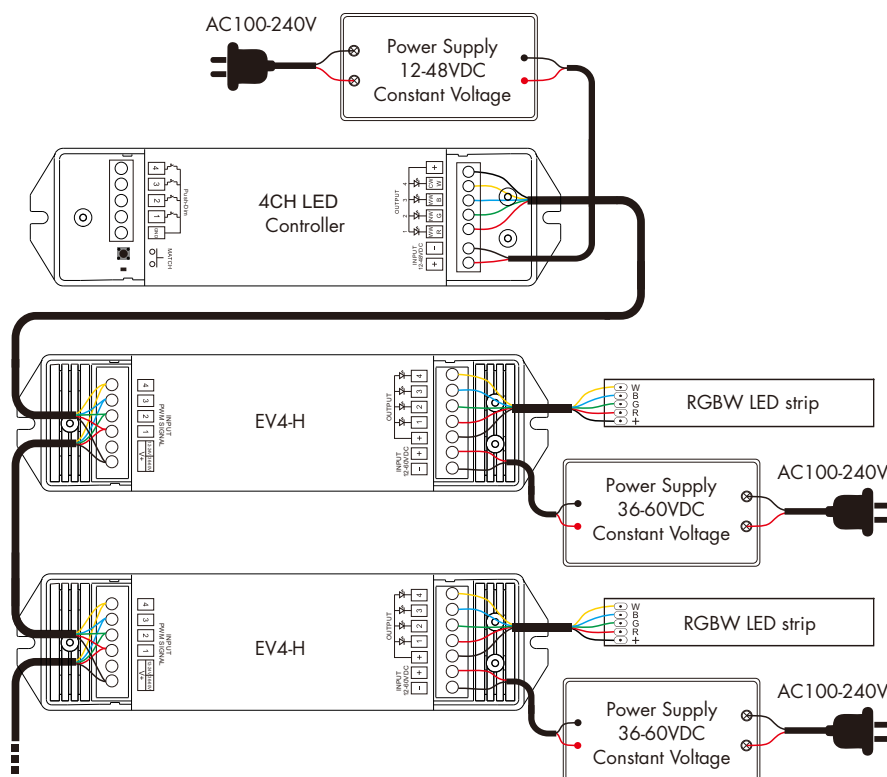
Input and Output		Warranty and Protection		Safety and EMC	
Input voltage	12-60VDC	Warranty	5 years	EMC standard	EN IEC 55015/EN IEC 61547
Input current	20.5A	Protection	Reverse polarity	Safety standard	EN 61347-1/-2 EN 62493
Input signal	PWM(4CH, 12-24V or 36-60V)	Environment		Certification	CE RoHS
Output voltage	4 x (12-60)VDC	Operation temperature	Ta: -20°C ~ +50°C	Package	
Output current	4CH, 5A/CH	Case temperature (Max.)	Tc: +85°C	Size	L178 x W50 x H38mm
Output power	4 x (60-300)W	IP rating	IP20	Gross weight	0.135kg
Output type	Constant voltage				

Mechanical Structures and Installations

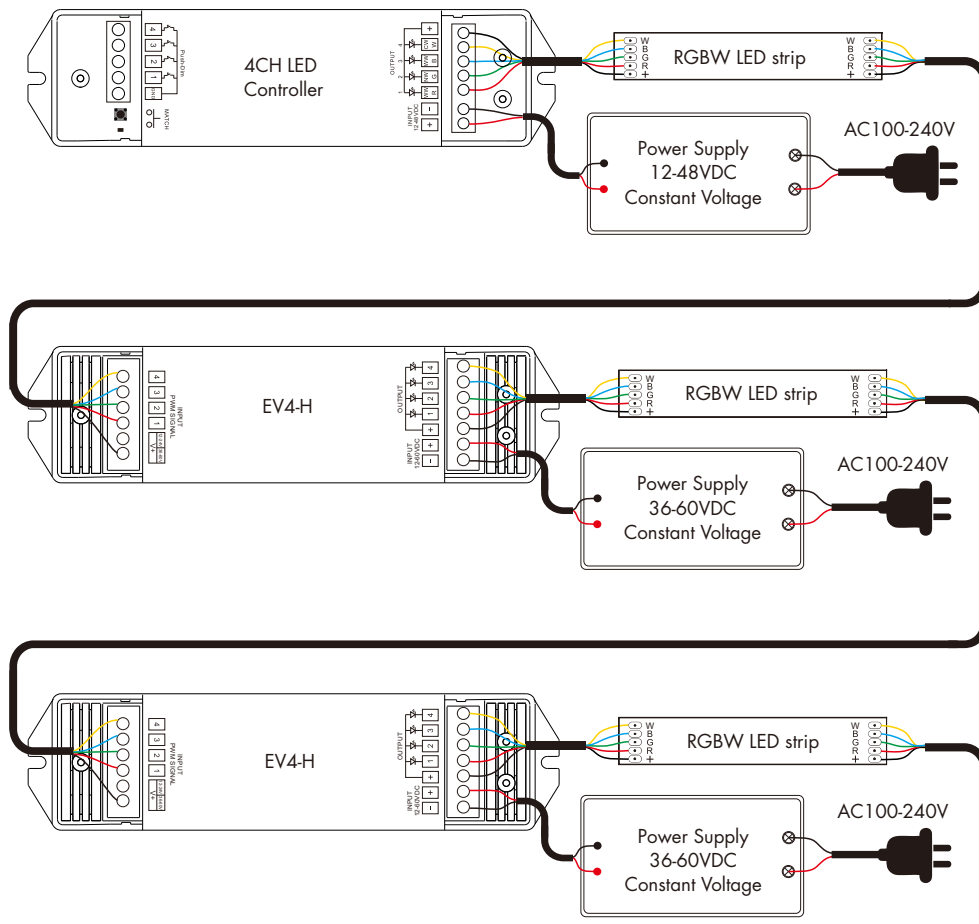


Wiring Diagram

- Parallel connection



● Series connection



Note: The PWM input can be 12-24V or 36-60V, please select correct V+ wire terminal.

Malfunctions Analysis & Troubleshooting

Malfunctions	Causes	Troubleshooting
No light	<ol style="list-style-type: none"> 1. No power. 2. Wrong connection or insecure. 	<ol style="list-style-type: none"> 1. Check the power. 2. Check the connection.
Wrong color	<ol style="list-style-type: none"> 1. Wrong connection of R/G/B/W wires. 	<ol style="list-style-type: none"> 1. Reconnect R/G/B/W wires.
Uneven intensity between front and rear, with voltage drop	<ol style="list-style-type: none"> 1. Output cable is too long. 2. Wire diameter is too small. 3. Overload beyond power supply capability. 4. Overload beyond controller capability. 	<ol style="list-style-type: none"> 1. Reduce cable or loop supply. 2. Change wider wire. 3. Replace higher power supply. 4. Add power repeater.

Safety & Warnings

1. The product shall be installed and serviced by a qualified person.
2. This product is non-waterproof. Please avoid direct sun, rain and high humid ambient.
3. Good heat dissipation will prolong the working life of the controller, Please ensure good ventilation.
4. Please check if the output voltage of any power supplies used comply with the working voltage of the product.
5. Ensure all wire connections and polarities are correct and secure before applying power to avoid any damages to the LED lights.
6. If a fault occurs please return the product to your supplier. Do not attempt to fix this product by yourself.