

F1-D+RC1

3-Button IR LED Dimmer

- Infrared remote control 1 channels constant voltage single color LED controller.
- 5A output, output connects with 5 meters single color LED strip.
- 3 buttons operation with on/off and dimming.
- light on/off fade time 3s selectable.
- 4096 levels 0-100% dimming smoothly without any flash.



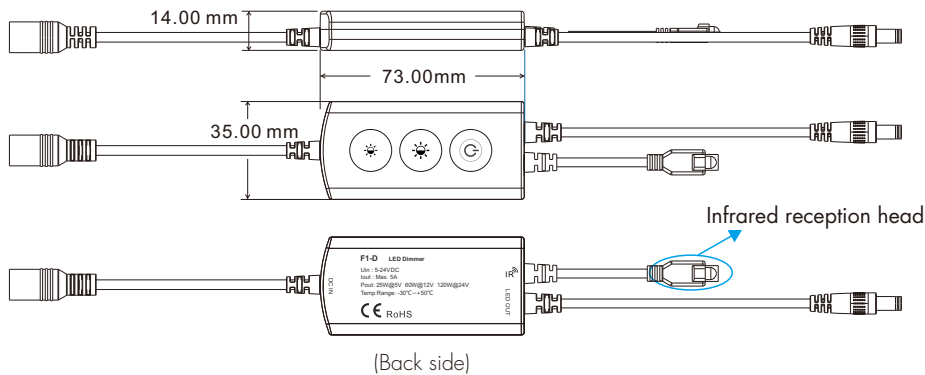
CE RoHS RED

Technical Parameters

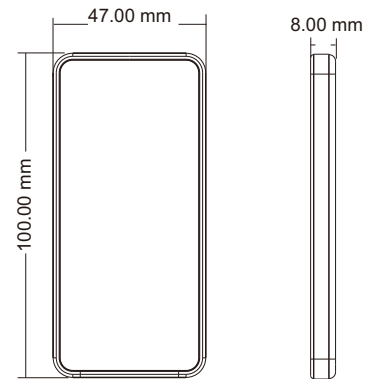
Input and Output		Dimming data		Safety and EMC	
Input voltage	5-24VDC	Input signal	IR + 3 button	EMC standard	EN 62479:2010 ETSI EN 301 489-1 V2.2.3 ETSI EN 301 489-17 V3.2.4
Output voltage	5-24VDC	Control distance	10m(Barrier-free space)	Safety standard	EN 61347-1:2015+A1:2021 EN 61347-2-13:2014+A1:2017
Output current	Max. 5A	Dimming gray scale	4096 level	Radio Equipment	ETSI EN 300 328 V2.2.2
Output power	25W@5V 60W@12V 120W@24V	Dimming range	0-100%	Certification	CE RED
Environment		PWM Frequency	2KHz (default)	Package	
Operation temperature	Ta: -30°C ~ +50°C	Warranty	5 years	Size	L110 x W57 x H28mm
Case temperature (Max.)	Tc: +85°C	Protection	Over heat	Gross weight	0.086kg

Mechanical Structures and Installations

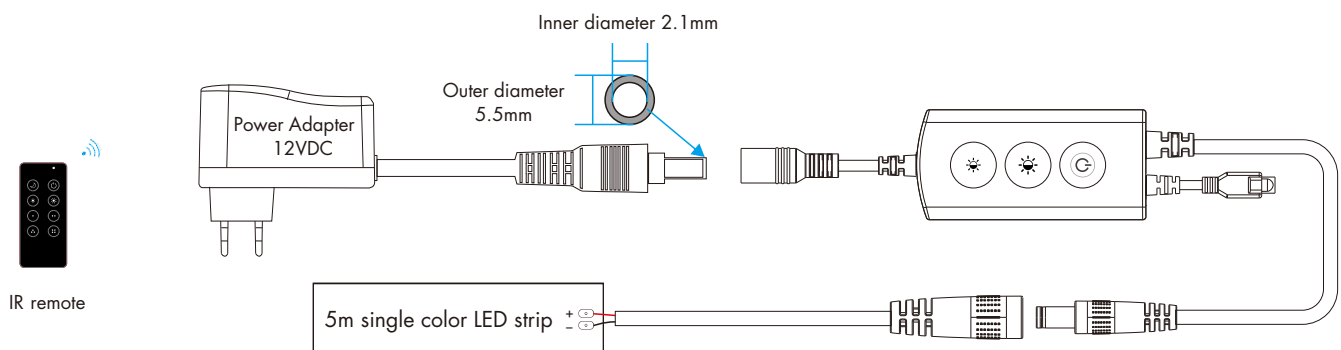
Controller size:



Remote size:



Wiring Diagram



Button Function



: Turn on or off light.



: Brightness +, short press 10 levels, long press 1-6s for continuous 256 levels adjustment.

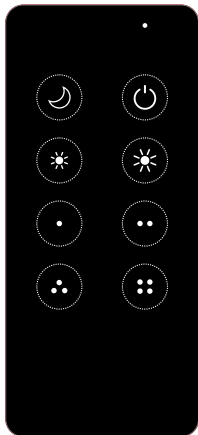


: Brightness -, short press 10 levels, long press 1-6s for continuous 256 levels adjustment.

Note:

Press and hold the  and  (Brightness-) button for 2s, output LED flashes 3 times, the light on/off fade time will change between 3s and 0.5s.

Key Function of IR Remote



: Turn on/off the light.



: Night light, 10% brightness.



: Increase brightness, Short press 10 levels, long press 1-6s for continuous 256 levels adjustment.



: Decrease brightness, Short press 10 levels, long press 1-6s for continuous 256 levels adjustment.



: Short press to select the four brightness levels: 25%, 50%, 75%, 100%.

Notes:

1. The IR remote control does not need to be paired and can be controlled directly.
2. When the remote control distance is far, the infrared remote control needs to be aimed at the infrared reception head of the dimmer.

Dimming Curve

