

# F3-D+RC3

## 3-Button IR RGB LED Controller

- Infrared remote control 3 channels constant voltage RGB LED controller.
- 1.5A per channel, output connects with 5 meters RGB LED strip.
- 3 buttons operation with on/off, mode and color adjustment.
- 4096 levels 0-100% dimming smoothly without any flash.
- Built in 10 dynamic modes, include jump or gradual change style.



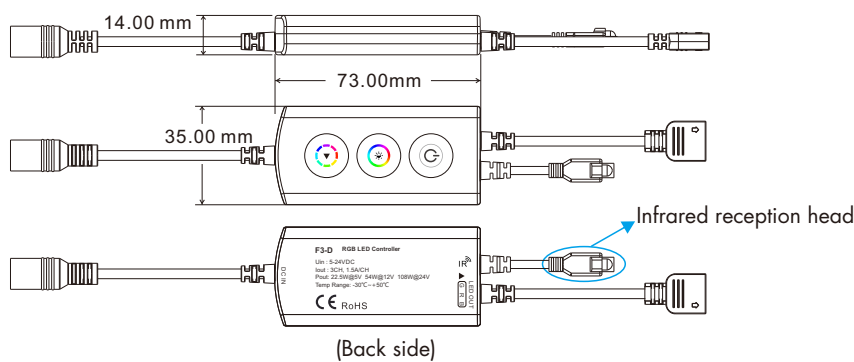
## CE RoHS RED

### Technical Parameters

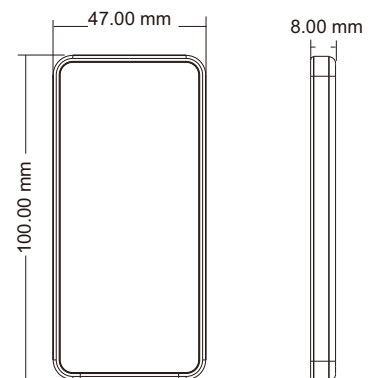
Input and Output		Dimming data		Safety and EMC	
Input voltage	5-24VDC	Input signal	IR + 3 button	EMC standard	EN 62479:2010 ETSI EN 301 489-1 V2.2.3 ETSI EN 301 489-17 V3.2.4
Output voltage	5-24VDC	Control distance	10m(Barrier-free space)	Safety standard	EN 61347-1:2015+A1:2021 EN 61347-2-13:2014+A1:2017
Output current	3CH, 1.5A/CH	Dimming gray scale	4096 level	Radio Equipment	ETSI EN 300 328 V2.2.2
Output power	22.5W@5V 54W@12V 108W@24V	Dimming range	0-100%	Certification	CE RED
<b>Environment</b>		Dimming curve	Logarithmic	<b>Package</b>	
Operation temperature	Ta: -30°C ~ +50°C	PWM Frequency	2KHz (default)	Size	L110 x W57 x H28mm
Case temperature (Max.)	Tc: +85°C	Warranty	5 years	Gross weight	0.093kg
		Protection	Over heat		

### Mechanical Structures and Installations

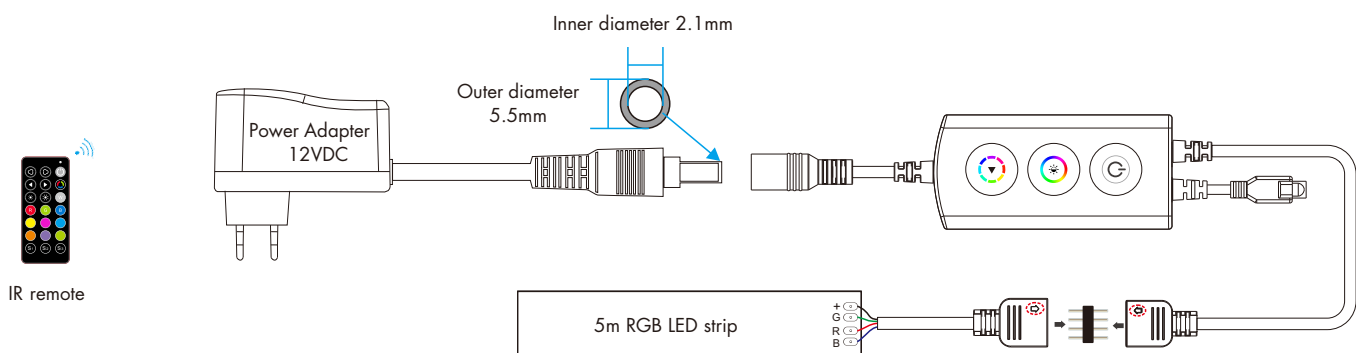
Controller size:



Remote size:



### Wiring Diagram



## Button Function



: Turn on or off light.



: Short press to change 24 static RGB color, long press 1-6s to adjust 256 levels brightness continuously.

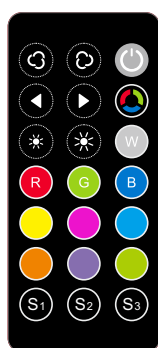


: Short press to change 10 dynamic mode, long press 2s to adjust speed, 10 levels.

### Note:

1. Press and hold the and button for 2s, output LED flashes 3 times, the light on/off fade time will change between 3s and 0.5s.
2. Press and hold the , and button for 2s, output LED flashes multiple times, switch between "GRB" (flashes 1 times), "RGB" (flashes 2 times), "BRG" (flashes 3 times) and "BGR" (flashes 4 times) output sequences, default is GRB.

## Key Function of IR Remote Controller



On/Off : Turn on/off light.



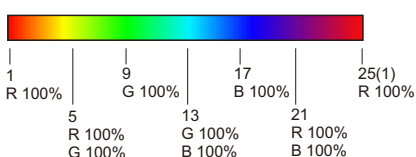
Mode+ : Short press run the next dynamic mode, long press 2s run mode cycle.



Mode- : Short press run the previous dynamic mode, long press 2s run the first mode.



Color : Short press get 24 kinds static RGB color, long press for continuous static color adjustment.



Speed +/-: For static mode, adjust the color saturation. Short press 11 levels;  
Long Press 1-6 seconds for 256 consecutive levels of adjustment.  
For dynamic mode, increase speed, short press 10 levels, long press 2s get the fastest/slowest speed.



W +/-: Short press turn on/off white (RGB mix);  
Long press 1-6s adjust saturation continuously, namely change current static RGB color to mixed white slowly.



Bright +/- : short press 10 levels; Long press 1-6 seconds for 256 consecutive levels for adjustment.



R/G/B : Short press get red, green or blue color directly,  
long press 1-6s adjust R/G/B brightness continuously to achieve millions of colors.



Yellow/Purple/Cyan : Short press get static yellow, purple, cyan color directly.



Orange/Grape/Grass green: Short press get static orange, grape, grass green color directly.



S1/S2/S3 : Short press recall the scene, long press 2s save the current color into the S1/S2/S3.

## Dynamic Mode List

Use the controller's Mode button or the IR remote control's Mode +/- keys to switch between 10 dynamic modes:

No.	Name	No.	Name
1	RGB jump	6	RGB fade in and out
2	RGB smooth	7	Red fade in and out
3	6 color jump	8	Green fade in and out
4	6 color smooth	9	Blue fade in and out
5	Yellow cyan purple smooth	10	White fade in and out

## Dimming Curve

