

Rotary Glass Panel RF Remote Controller



PK1(G)
1 Zone Dimming



PK2(G)
1 Zone CCT



PK3(G)
1 Zone RGB

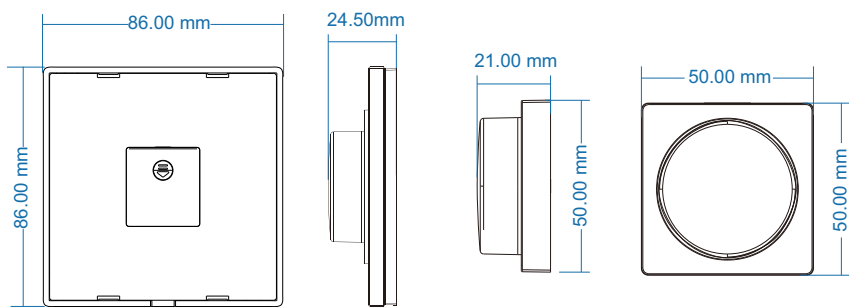
- Apply to single color, dual color or RGB LED controller.
- Rotate knob to change RGB color, color temperature or brightness, support long press or twice click operation.
- Each remote can match one or more receiver.
- CR2032 battery powered.

CE RoHS RED

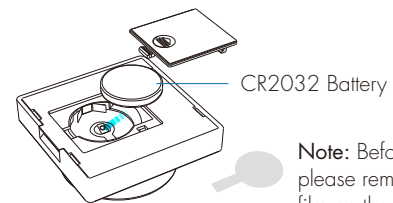
Technical Parameters

Input and Output		Environment		Safety and EMC	
Output signal	RF(2.4GHz)	Operation temperature	Ta: -30°C ~ +55°C	EMC standard	EN 62479:2010 ETSI EN 301 489-1 V2.2.3 ETSI EN 301 489-17 V3.2.4
Working voltage	3VDC(CR2032)	IP rating	IP 20	Safety standard	EN 61347-1:2015+A1:2021 EN 61347-2-13:2014+A1:2017
Working current	<5mA	Packing		Radio Equipment	ETSI EN 300 328 V2.2.2
Standby current	<10µA	Size	L100 x W88 x H30mm	Certification	CE RED
Standby time	1 years	Gross weight	0.160kg	Warranty	5 years
Remote distance	10m(Barrier-free space)				

Mechanical Structures and Installations

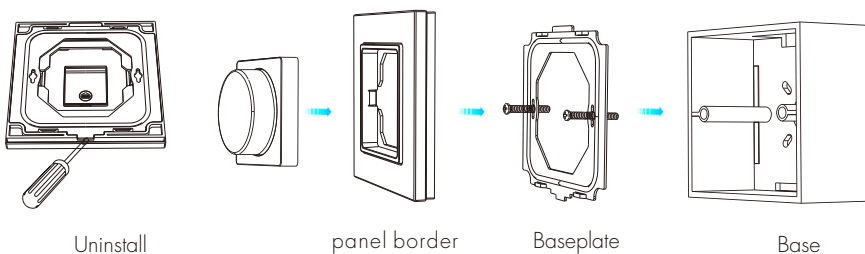


Replace battery:

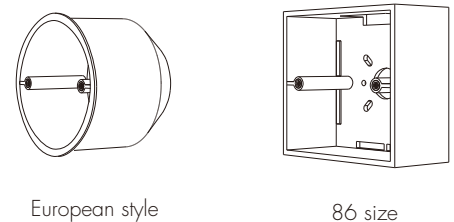


Note: Before the first use, please remove the protective film on the battery.

Installation diagram:



Typical base as below:



Knob function

- **PK1(G) Single color dimming remote**

- Push: Turn on or off light.

After turn on light:

- Rotate: Rotate knob to adjust brightness(2.5 turns, 50 levels).
 - Long push(1-6s): Continuous 256 levels brightness adjustment.
-

- **PK2(G) Color temperature remote**

- Push: Turn on or off light.

After turn on light:

- Rotate: Rotate knob to change color temperature or brightness (2.5 turns, 50 levels).
 - Push twice: Switch between color temperature or brightness adjustment.
 - Long push(1-6s): Continuous 256 levels brightness adjustment.
-

- **PK3(G) RGB remote**

- Push: Turn on or off light.

After turn on light:

- Rotate: Rotate knob to change RGB color (3 turns, 60 colors) or brightness (2.5 turns, 50 levels).
- Push twice: Switch between RGB color or brightness adjustment.
- Long push(1-6s): Continuous 256 levels brightness adjustment.

Match Remote Control (two match ways)

End user can choose the suitable match/delete ways. Two options are offered for selection:

Use the controller's Match key

Match:

Short press match key, immediately push the knob.
The LED indicator fast flash a few times means match is successful.

Delete:

Press and hold match key for 5s to delete all match,
The LED indicator fast flash a few times means all matched remotes were deleted.

Use Power Restart

Match:

Switch off the power, then switch on power, repeat again.
Immediately push the knob 3 times.
The light blinks 3 times means match is successful.

Delete:

Switch off the power, then switch on power, repeat again.
Immediately push the knob 5 times.
The light blinks 5 times means all matched remotes were deleted.

Safety information

1. Read all instructions carefully before you begin this installation.
2. When installing battery, pay attention to the battery positive and negative polarity.
A long time without the remote control, remove the battery.
When remote distance becomes smaller and insensitive, replace the battery.
3. If no response from the receiver, please re-match the remote.
4. Gently handle remote, beware of falling.
5. For indoor and dry location use only.