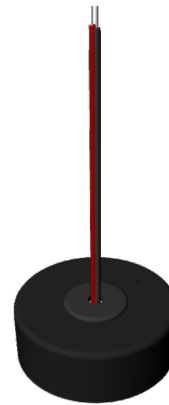


R1-1(L)

Push Switch RF Remote Controller

- Apply to single color LED RF controller or RF dimming driver.
- Connect with push switch to achieve on/off and 0-100% dimming function.
- Adopt 2.4GHz wireless technology, remote distance up to 30m.
- Each remote can match one or more receiver.
- CR2032 button battery powered.

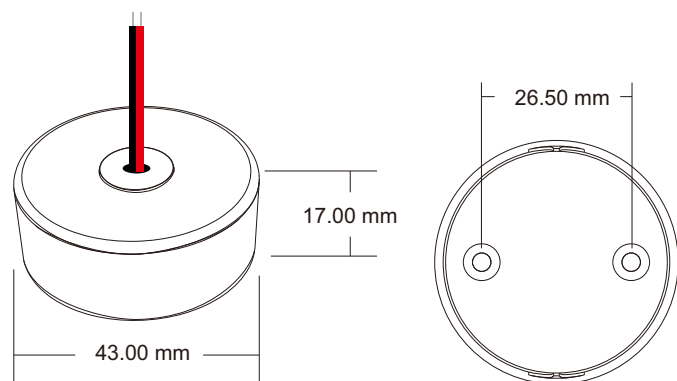


CE RoHS  RED

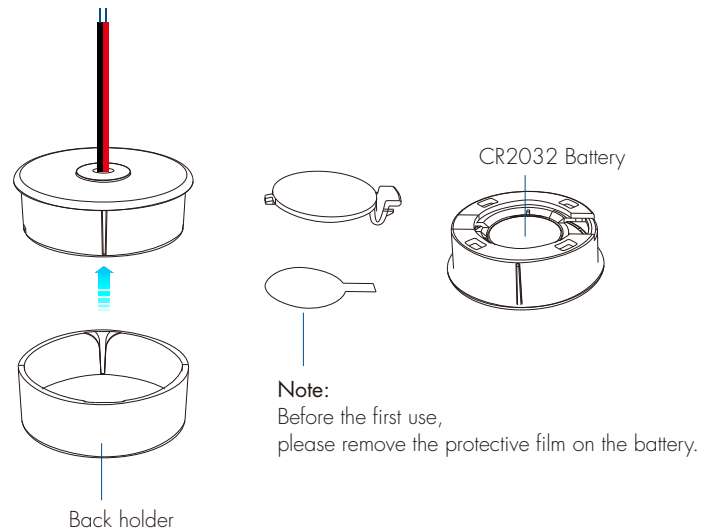
Technical Parameters

Input and Output		Environment		Safety and EMC	
Output signal	RF(2.4GHz)	Operation temperature	Ta: -30°C ~ +55°C	EMC standard (EMC)	ETSI EN 301 489-1 V2.2.3 ETSI EN 301 489-17 V3.2.4
Working voltage	3VDC(CR2032)	IP rating	IP 20	Safety standard	EN 61348-1:2015+A1:2021 EN 61348-2-13:2014+A1:2017
Working current	<5mA	Packing		Radio Equipment (RED)	ETSI EN 300 328 V2.2.2
Standby current	<2μA	Size	L60 x W60 x H40mm	Certification	CE, EMC, RED
Standby time	2 years	Gross weight	0.040kg	Warranty	5 years
Remote distance	30m(Barrier-free space)				

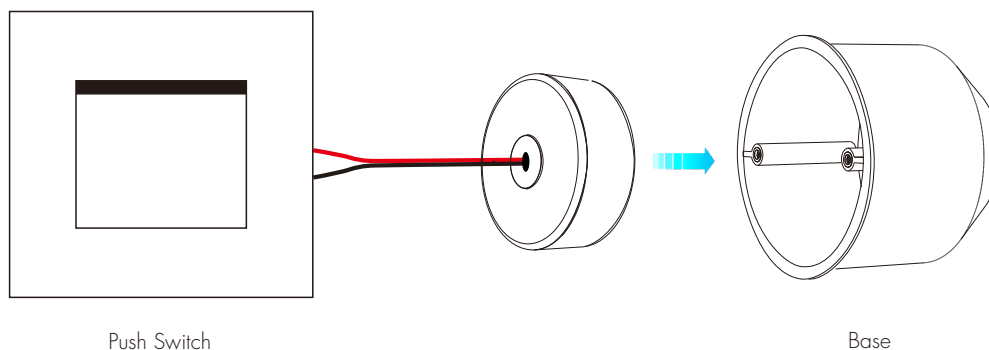
Dimension



Battery Installation



Wiring diagram



Push switch function:

1. Short press: Turn on/off light.
2. Long press(1-6s): When light is on, increase or decrease brightness continuously.

Match Remote Control (two match ways)

End user can choose the suitable match/delete ways. Two options are offered for selection:

Use the controller's Match key

Match:

Short press match key, immediately press the push switch.

The LED indicator fast flash a few times means match is successful.

Delete:

Press and hold match key for 5s to delete all match,

The LED indicator fast flash a few times means all matched remotes were deleted.

Use Power Restart

Match:

Switch off the power, then switch on power, repeat again.

Immediately short press the push switch 3 times.

The light blinks 3 times means match is successful.

Delete:

Switch off the power, then switch on power, repeat again.

Immediately short press the push switch 5 times.

The light blinks 5 times means all matched remotes were deleted.

Safety information

1. Read all instructions carefully before you begin this installation.
2. When installing battery, pay attention to the battery positive and negative polarity.
A long time without the remote control, remove the battery.
When remote distance becomes smaller and insensitive, replace the battery.
3. If no response from the receiver, please re-match the remote.
4. For indoor and dry location use only.