

## WiFi & RF Relay Switch

- WiFi & RF relay switch, 10A dry contact main rated relay output, zero cross switching function.
- Tuya APP cloud control, support on/off, delay turn on/off and timer run function.
- Voice control, support Amazon Alexa, Google Assistant, Tmall Genie, Xiaodu voice assistant.
- Compatibility with RF 2.4G remote control.
- Connect with external push switch optional.
- High-inrush specification relay.
- Each SS-C(WT) relay switch can also work as WiFi+RF converter, then use Tuya APP to control one or more RF LED controller or RF LED dimming driver synchronously.
- Easy to be placed in standard wall junction box behind a push switch.

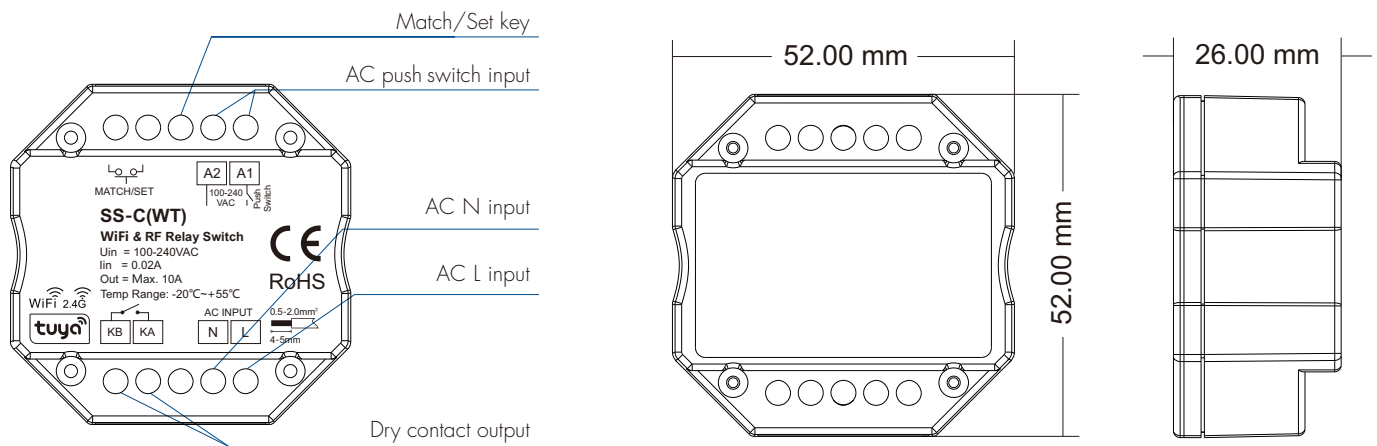


CE RoHS emc RED

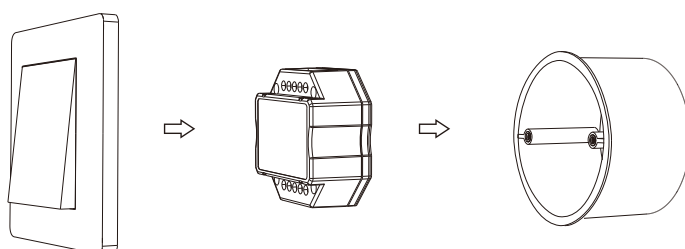
### Technical Parameters

Input and Output		Environment		Safety and EMC	
Input voltage	AC100-240V	Operation temperature	Ta: -20°C ~ +55°C	EMC standard (EMC)	ETSI EN 301 489-1 V2.2.3 ETSI EN 301 489-17 V3.2.4
Input current	0.02A	Case temperature (Max.)	Tc: +65°C	Safety standard	EN 62368-1:2020+A11:2020
Relay contacts	single-pole, single-throw (SPST) relay	IP rating	IP20	Radio Equipment (RED)	ETSI EN 300 328 V2.2.2
Max relay load current	10A resistive load(incandescent lamp) 8A capacitive load(LED dimming lamp) 6A inductive load(fluorescent lamp)	Package		Certification	CE, EMC, LVD
Input signal	WiFi + RF 2.4GHz + AC Push switch	Size	L60 x W60 x H40mm	Warranty	
RF control distance	30m(Barrier-free space)	Gross weight	0.074kg	Warranty	5 years

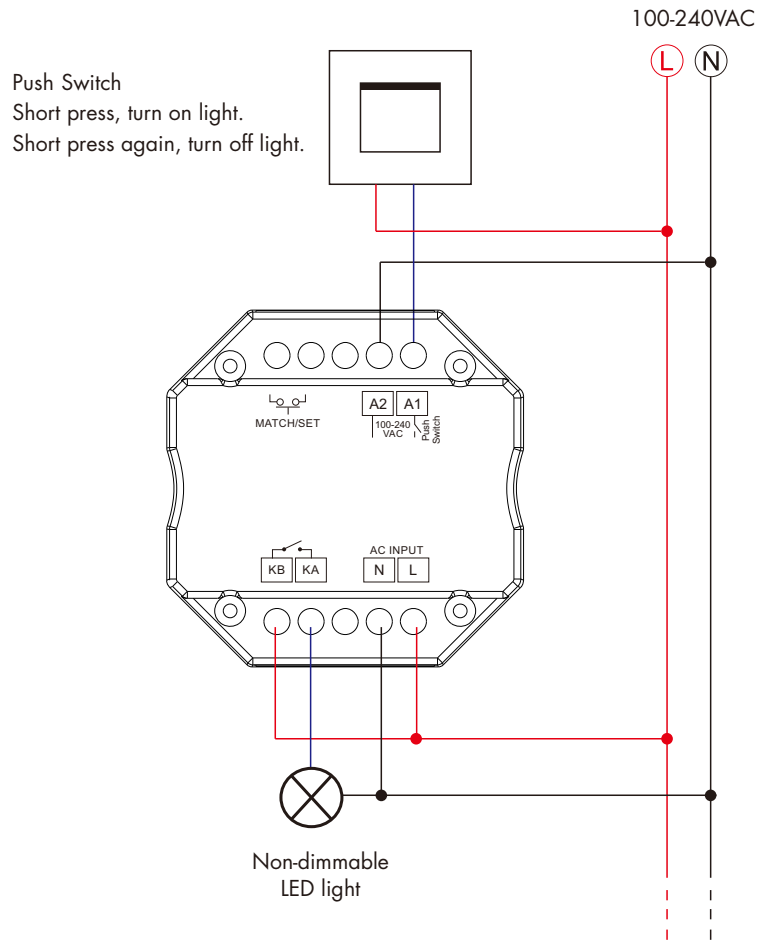
### Mechanical Structures and Installations



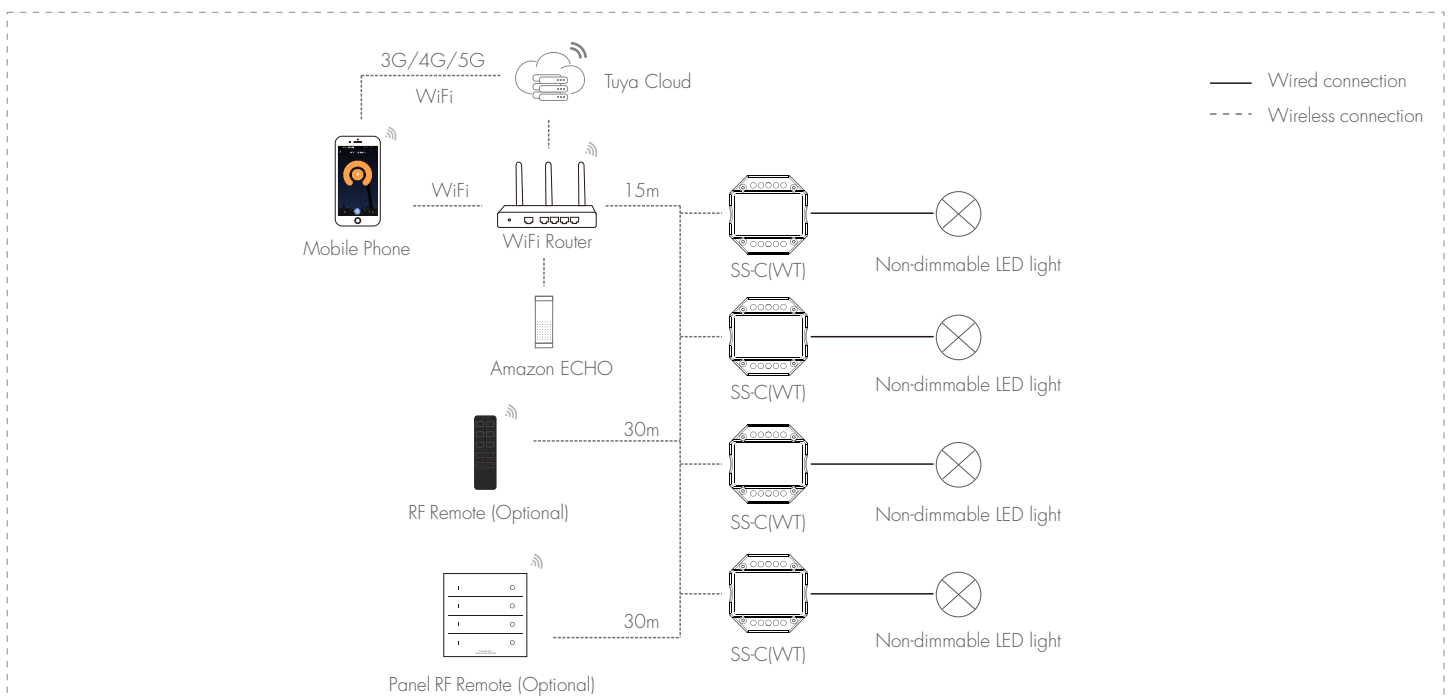
### Typical Wall Junction Box Mounting:



## Wiring diagram



## System wiring



### Note:

1. The above distance is measured in spacious (no obstacle) environment, Please refer to the actual test distance before installation.
2. Please check if the WiFi router net in 2.4G band, the 5G band is not available, and do not hide your router network.
3. Please keep the distance between SS-C(WT) devices and router close, and check the WiFi signals.

## APP network connection

Please download the corresponding Tuya/Smart life APP according to your region.  
Press and hold Match/Set key for 2s, or push twice Match/Set key fastly,  
clear previous network connection, enter Smart config mode, the LED indicator flash fastly.

Press and hold Match/Set key for 5s,clear previous network connection, enter AP config mode,  
the LED indicator flash slowly. If smart config failed, please try AP config.

If Tuya APP network connection succeed, the LED indicator will stop flash,  
and in Tuya APP, you can find SWITCH device.

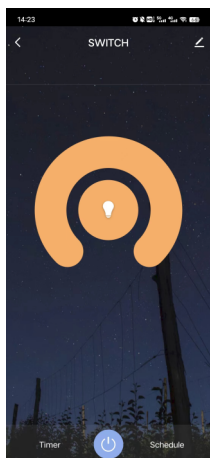


Smart life APP



Tuya Smart

## Tuya APP interface



**ON/OFF key:** turn on or off light.

**Timer:** can be set to automatically turn on or off lights in the next 24 hours.

**Schedule:** add multiple timers to turn on or turn off light according to different time periods.

## SS-C(WT) match remote control (Optional)

End user can choose the suitable match/delete ways. Two options are offered for selection:

### Use the SS-C(WT)'s Match/Set key

**Match:**

Short press match/set key of SS-C(WT),  
immediately press on/off key (single zone remote)  
or zone key (multiple zone remote) on the remote.  
The LED indicator fast blinks a few times means match is successful.

**Delete:**

Press and hold match/set key of SS-C(WT) for 10s,  
The LED indicator blinks 5 times means all matched remotes were deleted.

### Use Power Restart

**Match:**

Switch off the power of SS-C(WT), then switch on power, repeat again.  
Immediately short press on/off key (single zone remote)  
or zone key (multiple zone remote) 3 times on the remote.  
The LED strip blinks 3 times means match is successful.

**Delete:**

Switch off the power of SS-C(WT), then switch on power, repeat again.  
Immediately short press on/off key (single zone remote)  
or zone key (multiple zone remote) 5 times on the remote.  
The LED strip blinks 5 times means all matched remotes were deleted.

## SS-C(WT) work as WiFi-RF converter to match RF LED controller or dimming driver

End user can choose the suitable match/delete ways. Two options are offered for selection:

### Use the controller's Match key

**Match:**

Short press match key of the controller,  
immediately press on/off key on the Tuya APP.  
The LED indicator fast blinks a few times means match is successful.

**Delete:**

Press and hold match key of the controller for 5s,  
The LED indicator fast blinks 5 times means match was deleted.

### Use Power Restart

**Match:**

Switch off the power of the controller, then switch on power, repeat again.  
Immediately short press on/off key 3 times on the Tuya APP.  
The LED strip blinks 3 times means match is successful.

**Delete:**

Switch off the power of the controller, then switch on power, repeat again.  
Immediately short press on/off key 5 times on the Tuya APP.  
The LED strip blinks 5 times means match was deleted.