

RF 1/2CH Single or Dual Color LED Controller

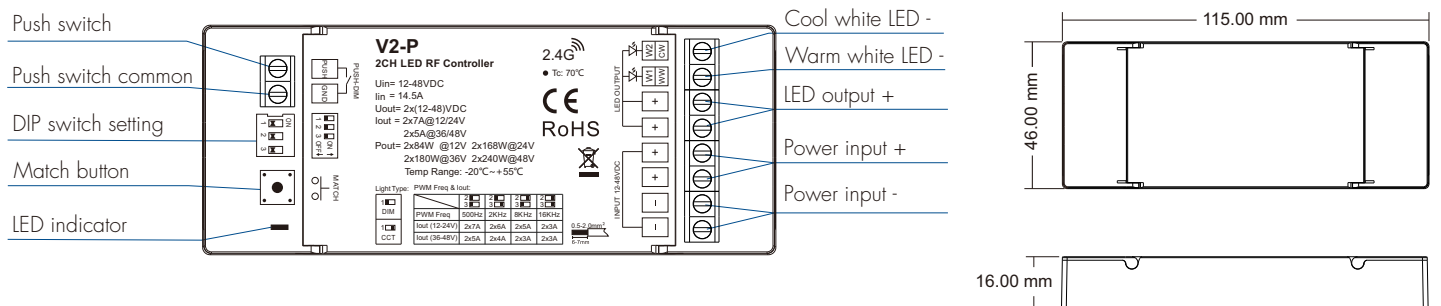
- 1/2 channel constant voltage output, control single color or color temperature low voltage LED strip.
- Match with RF 2.4G single zone or multiple zone dimming/color temperature remote control.
- One RF controller accept up to 10 remote control.
- 4096 levels 0-100% dimming smoothly without any flash.
- DIP switch to set 2 kinds of light type: DIM, CCT;
- 4 kinds of PWM frequency: 500Hz, 2KHz, 8KHz, 16KHz.
- Light on/off fade time 3s selectable.
- Connect with external push switch to achieve on/off, adjustment of brightness and color temperature function.



Technical Parameters

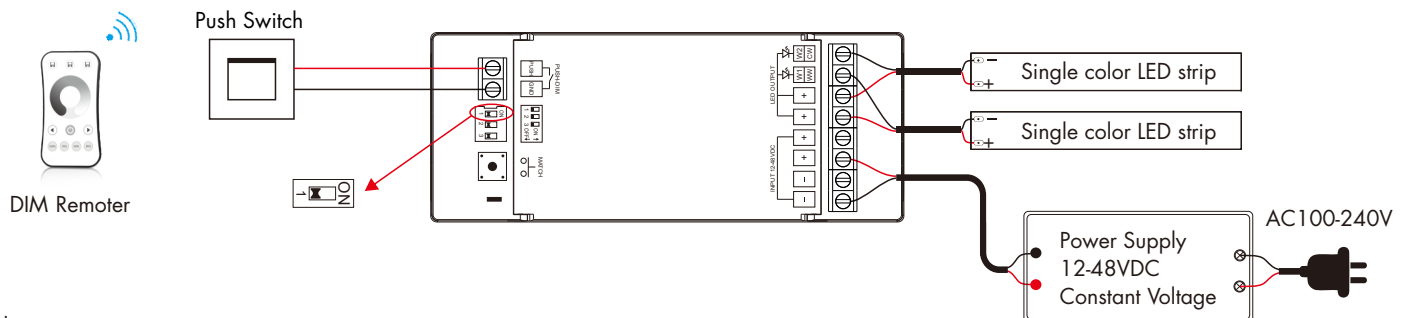
Input and Output	Dimming data	Safety and EMC
Input voltage: 12-48VDC	Input signal: RF 2.4GHz	EMC standard (EMC): ETSI EN 301 489-1 V2.2.3 ETSI EN 301 489-17 V3.2.4
Input current: 14.5A	Control distance: 30m(Barrier-free space)	Safety standard: EN 61348-1:2015+A1:2021 EN 61348-2-13:2014+A1:2017
Output voltage: 2x(12-48VDC)	Dimming gray scale: 4096 (2 ¹²) levels	Radio Equipment(RED): ETSI EN 300 328 V2.2.2
Output current: 2x7A@12-24V 2x5A@36-48V	Dimming range: 0-100%	Certification: CE, EMC, RED
Output power: 2x84W@12V 2x168W@24V 2x180W@36V 2x240W@48V	Dimming curve: Logarithmic(DIM), linear(CCT)	Environment
Warranty and Protection	PWM Frequency: 500Hz, 2kHz, 8kHz, 16kHz	Operation temperature: Ta: -20°C ~ +55°C
Warranty: 5 years	Package	Case temperature (Max.): Tc: +70°C
Protection: Over-heat, Short circuit	Size: L122x W50 x H22mm	IP rating: IP20
	Gross weight: 0.070kg	

Mechanical Structures and Installations



Wiring Diagram

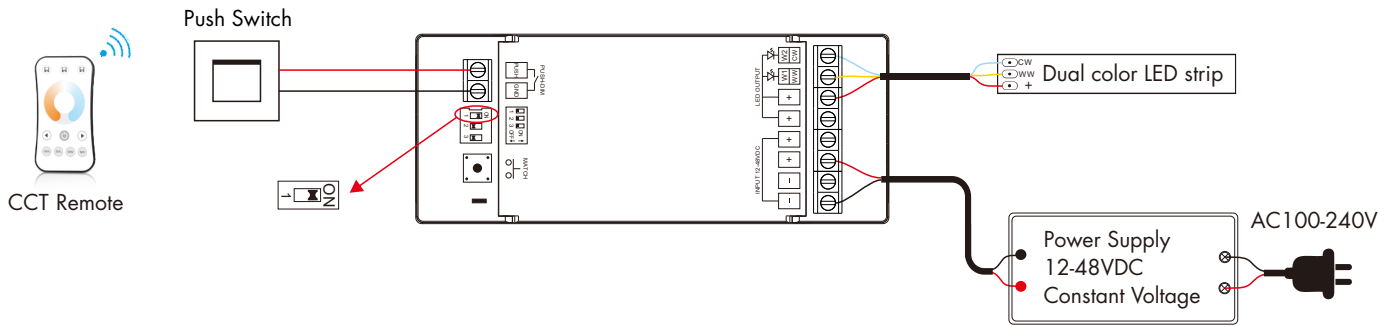
- V2-P for single color (DIP switch 1 set to DIM)



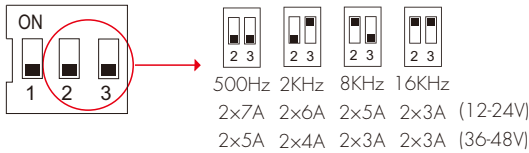
Note:

The maximum current of each terminal is 10A, when the input voltage is 12/24V and the working current is more than 10A, the two positive terminal ports and two negative terminal ports of the power input, the LED output two positive ports must be wired at the same time, otherwise the current will cause the risk of burning the wiring port.

- V2-P for dual color (DIP switch 1 set to CCT)



PWM frequency setting



We can select four PWM frequency: 500Hz, 2kHz, 8kHz or 16kHz. Higher PWM frequency, will cause lower output current, higher power noise, but more suitable for camera(No flickers for video).

Light on/off fade time

Long press match key 5s, then short press match key 3 times, the light on/off time will be set to 3s, the LED indicator blink 3 times.

Long press match key 10s, the LED indicator blink 2 times, restore factory default parameter,

factory default parameters: the light on/off time is 0.5s, brightness is 100%, CCT light type output neutral white light.

Push switch function

The provided Push-Dim interface allows for a simple dimming method using commercially available non-latching (momentary) wall switches.

We recommend the number of controllers connected to a push switch does not exceed 25 pieces,

The maximum length of the wires from push to controller should be no more than 20 meters.

1. Single color dimming type (DIM)

- **Short press:** Turn on/off the light.
- **Double click:** Switch between 10% and 100% brightness.
- **Long press (1-6s):** Stepless dimming, with every other long press, the light level goes to the opposite direction, dimming range 1%-100%.
- **Long press(10s):** If more than one controller are connected to the same push switch, do a long press for more than 10s, then the system is synchronized and all lights in the group dim up to 100%.

2. Color temperature dimming type (CCT)

- **Short press:** Turn on/off the light.
- **Double click:** Switch between three levels color temperature (warm white, neutral white, cool white) in sequence. at the same time, enter the state of long-press to adjust color temperature. After 5s of no operation, it will automatically exit color temperature adjustment state.
- **Long press (1-6s):** Default brightness adjustment, with every other long press, the light level goes to the opposite direction, dimming range 1%-100%. In the light off state or color temperature adjustment state, long press to adjust the color temperature, every time you release and long press again, the color temperature changes in the opposite direction.
- **Long press(10s):** If more than one controller are connected to the same push switch, do a long press for more than 10s, then the system is synchronized and all lights in the group dim up to 100% (WW channel output brightness is 100%, CW channel output brightness is 0%).

Match RF remote control

End user can choose the suitable match/delete ways. Two options are offered for selection:

Use the Match key

Match:

Short press match key, immediately press on/off key (single zone remote) or zone key (multiple zone remote) on the remote. The LED indicator blinks 3 times means match is successful.

Delete:

Press and hold match key for 5s, The LED indicator blinks 6 times means all matched remotes were deleted.

Use Power Restart

Match:

Switch off the power, then switch on power, repeat again. Immediately short press on/off key (single zone remote) or zone key (multiple zone remote) 3 times on the remote. The light blinks 3 times means match is successful.

Delete:

Switch off the power, then switch on power, repeat again. Immediately short press on/off key (single zone remote) or zone key (multiple zone remote) 5 times on the remote. The light blinks 5 times means all matched remotes were deleted.